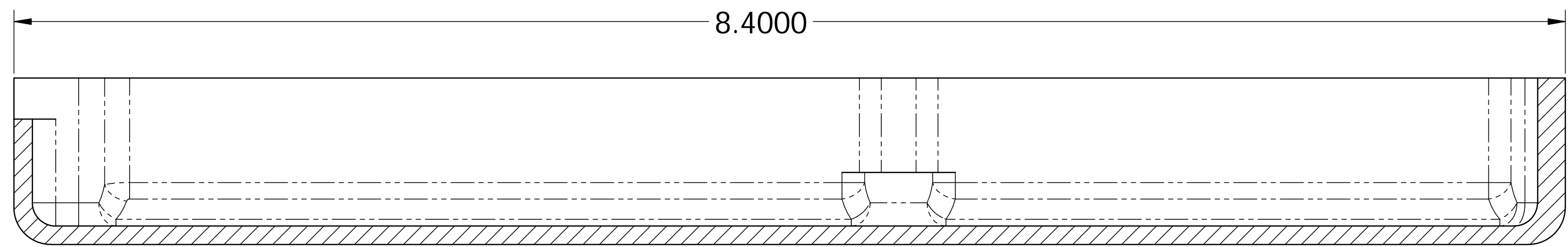
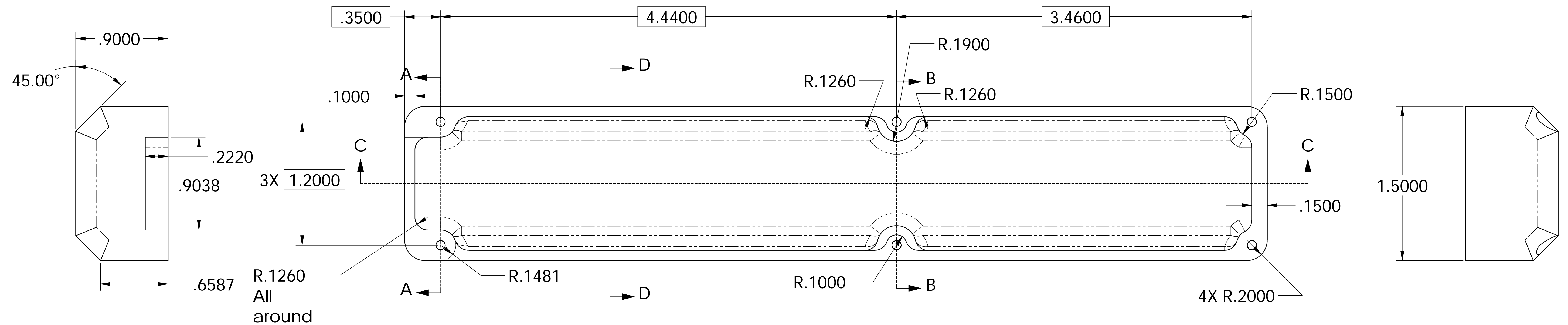
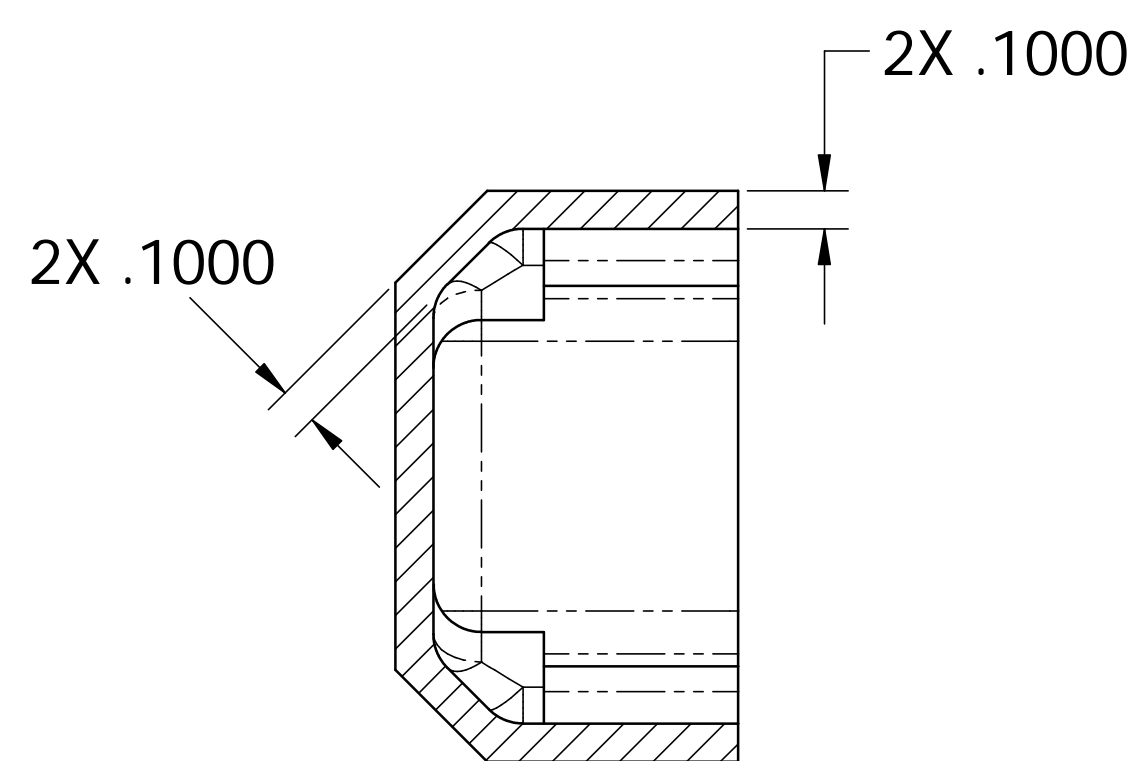
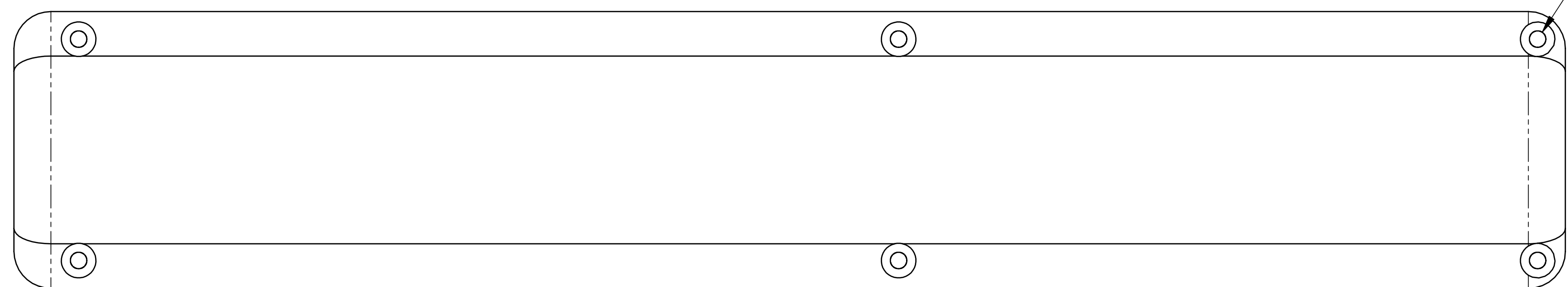


ENVISIONERING PRODUCT DEVELOPMENT CLAIMS PROPRIETARY RIGHTS IN THE INFORMATION DISCLOSED HEREON. THIS DRAWING IS FURNISHED IN CONFIDENCE ON THE EXPRESS UNDERSTANDING THAT NEITHER IT NOR ANY REPRODUCTION THEREOF WILL BE DISCLOSED TO OTHERS OR USED FOR THE PURPOSE OF MANUFACTURE OR PROCUREMENT OF THE ARTICLE OR PART SHOWN HEREON.

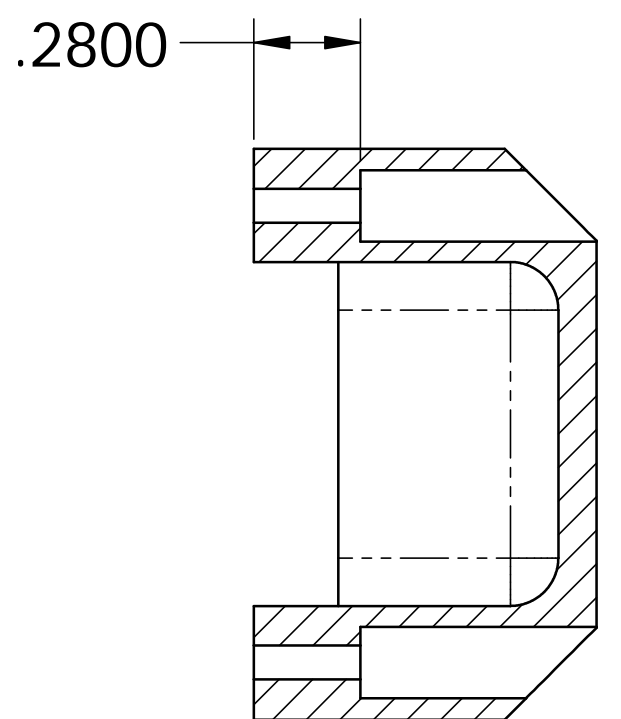
REVISIONS		DATE	APPROVED
REV	DESCRIPTION		



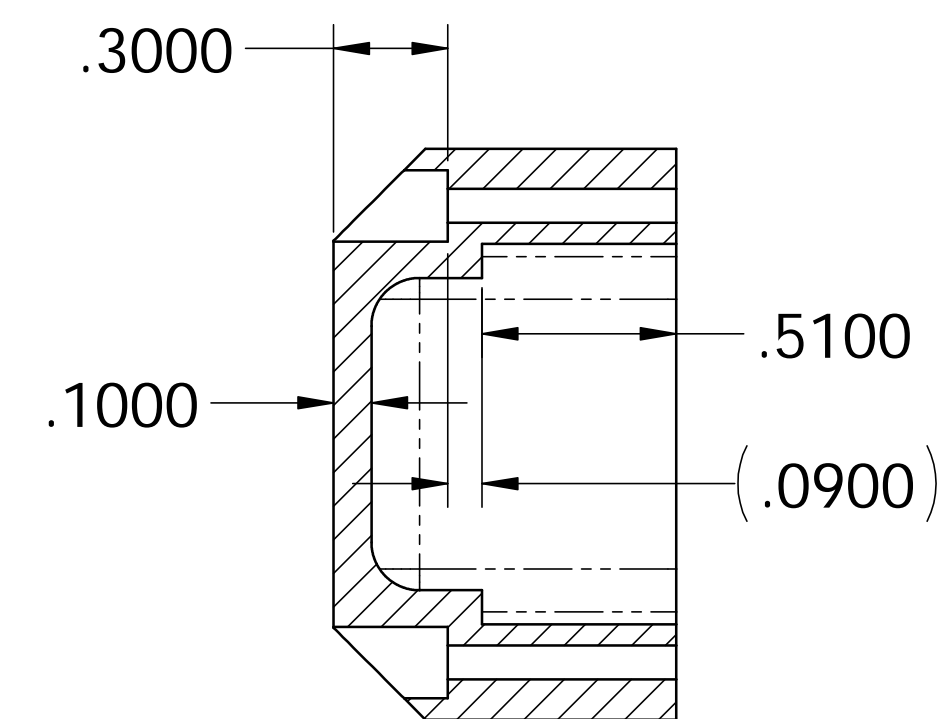
SECTION C-C



SECTION D-D



SECTION A-A



SECTION B-B

PARTS LIST		APPROVALS		DATE
UNLESS OTHERWISE SPECIFIED DIMENSIONS ARE IN INCHES TOLERANCES ARE:	CAD GENERATED DRAWING. DO NOT MANUALLY UPDATE.	DRAWN		
XXX = ± 0.015		CHECKED		
XXX = ± 0.005		RESP'NG		
X" = ± 0.3"		TYP'NG		
FRESH		DATE ENG		
NEXT ASSY	USED ON	SCALE	21	
APPLICATION	DO NOT SCALE DRAWING	CAD FILE	B02T122230	

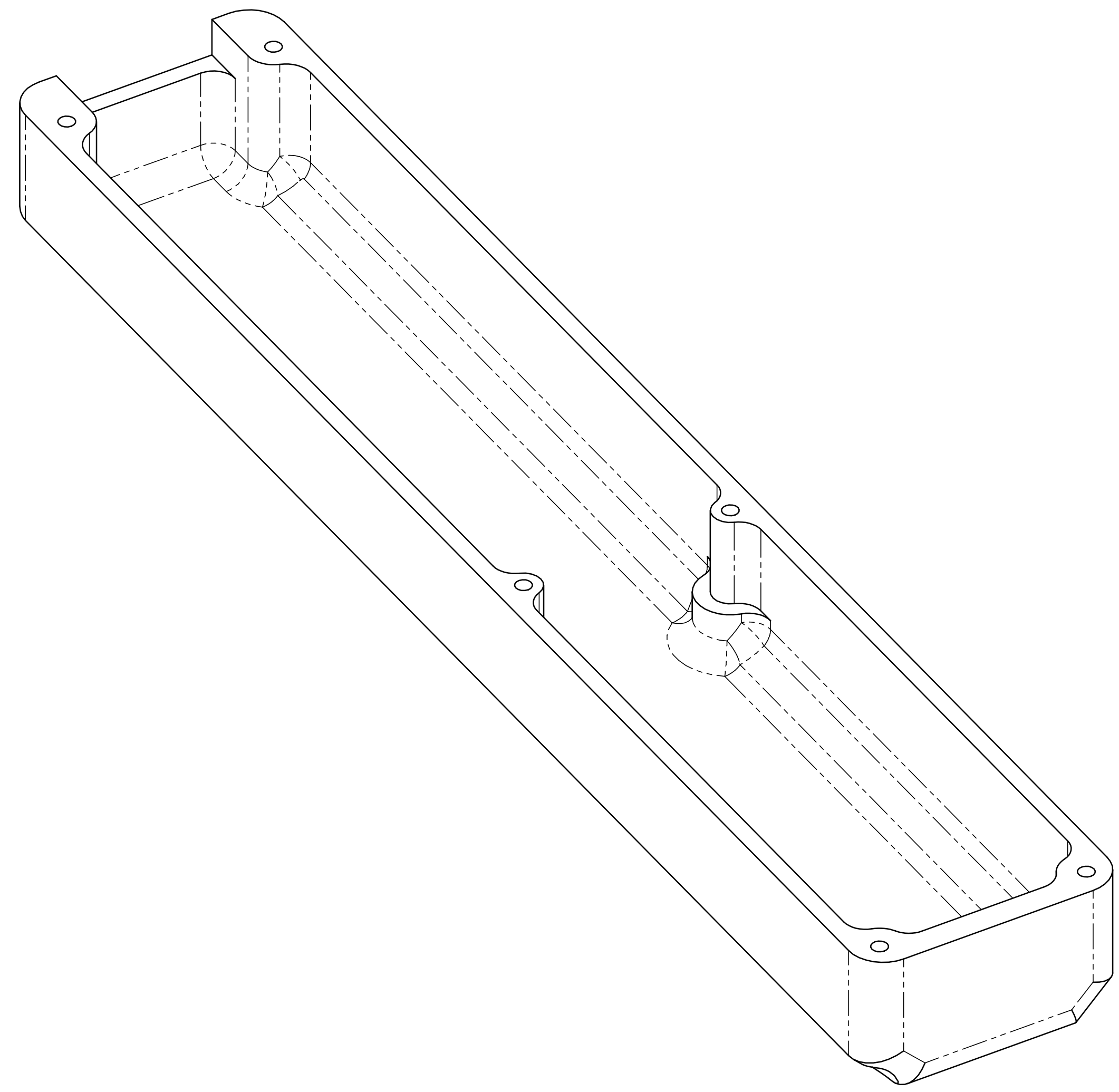
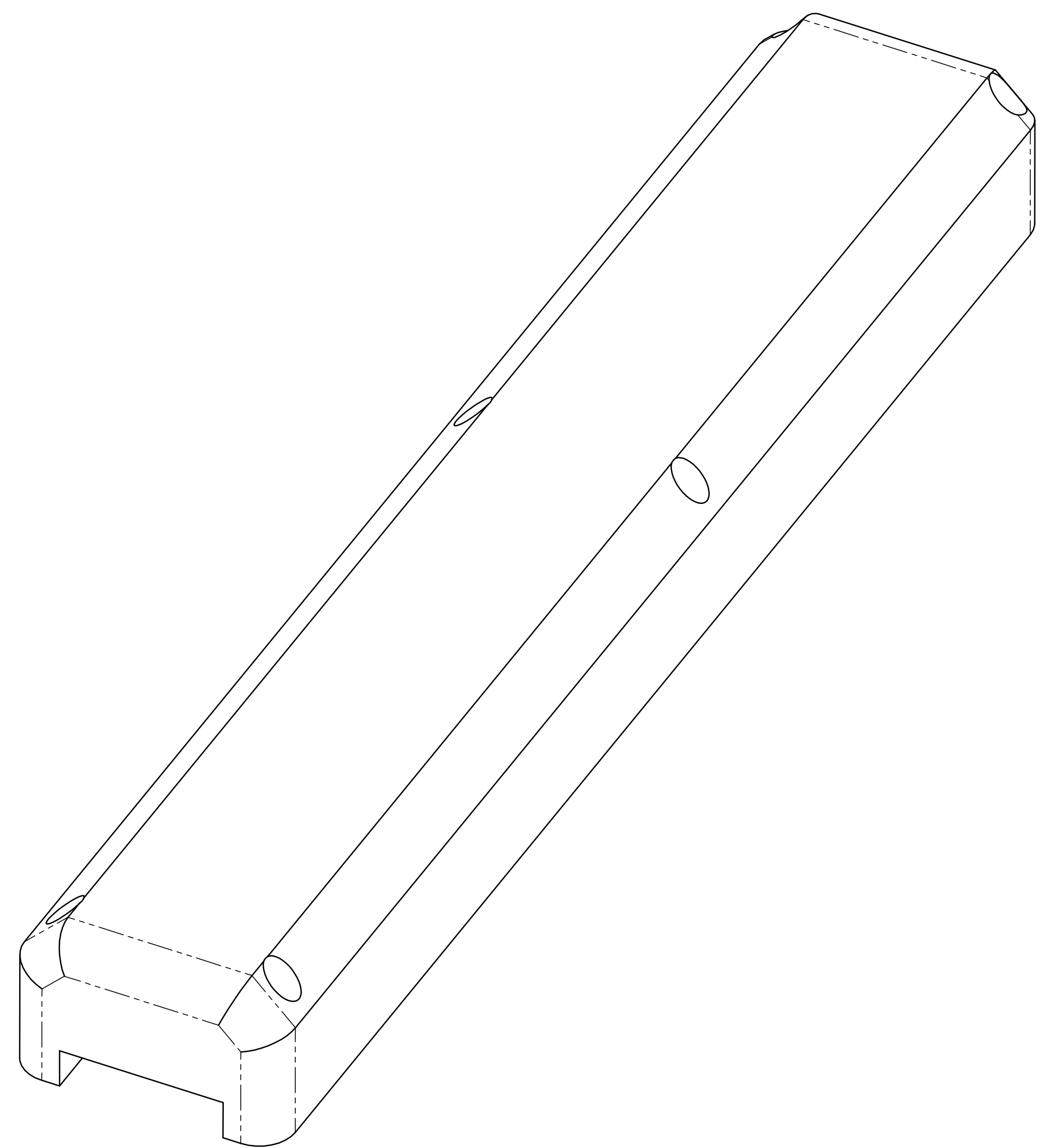
Product Development Corporation

Handle cover

REV: B02T122230

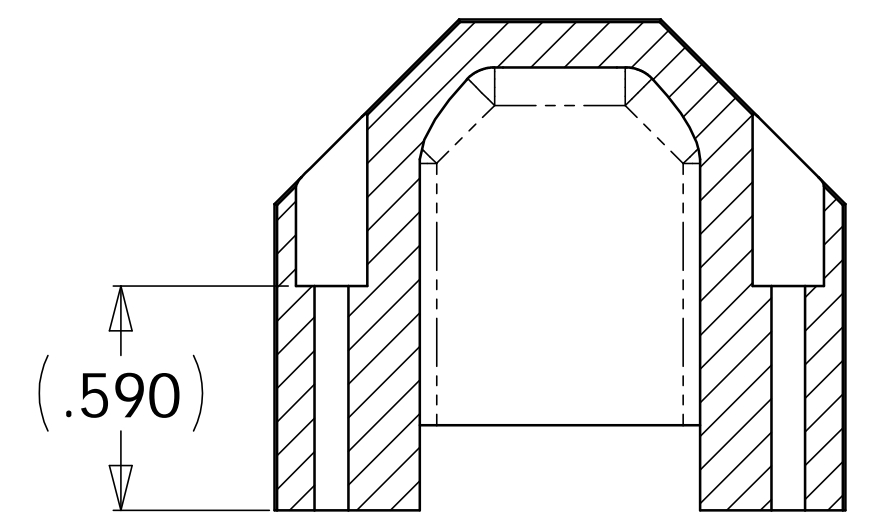
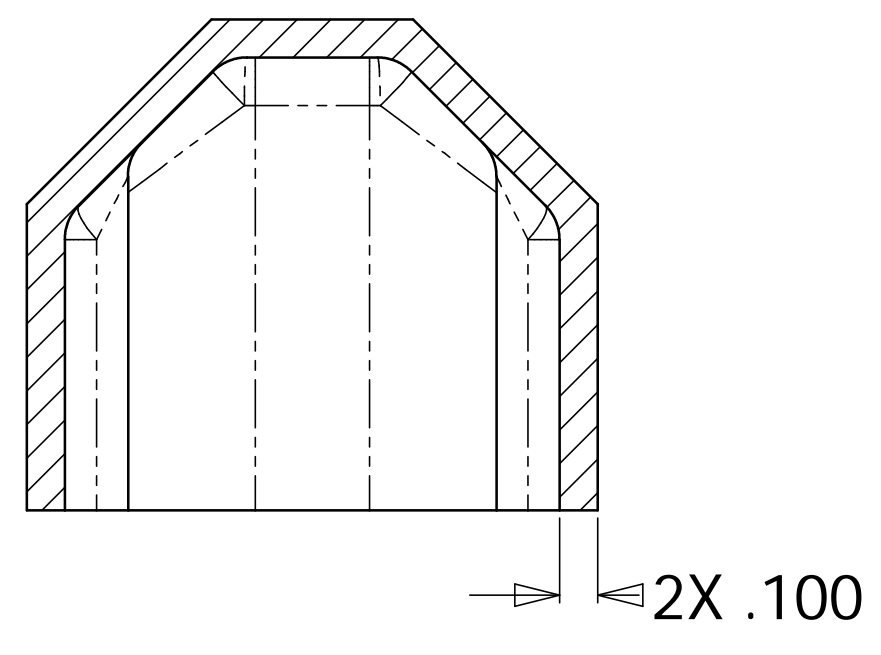
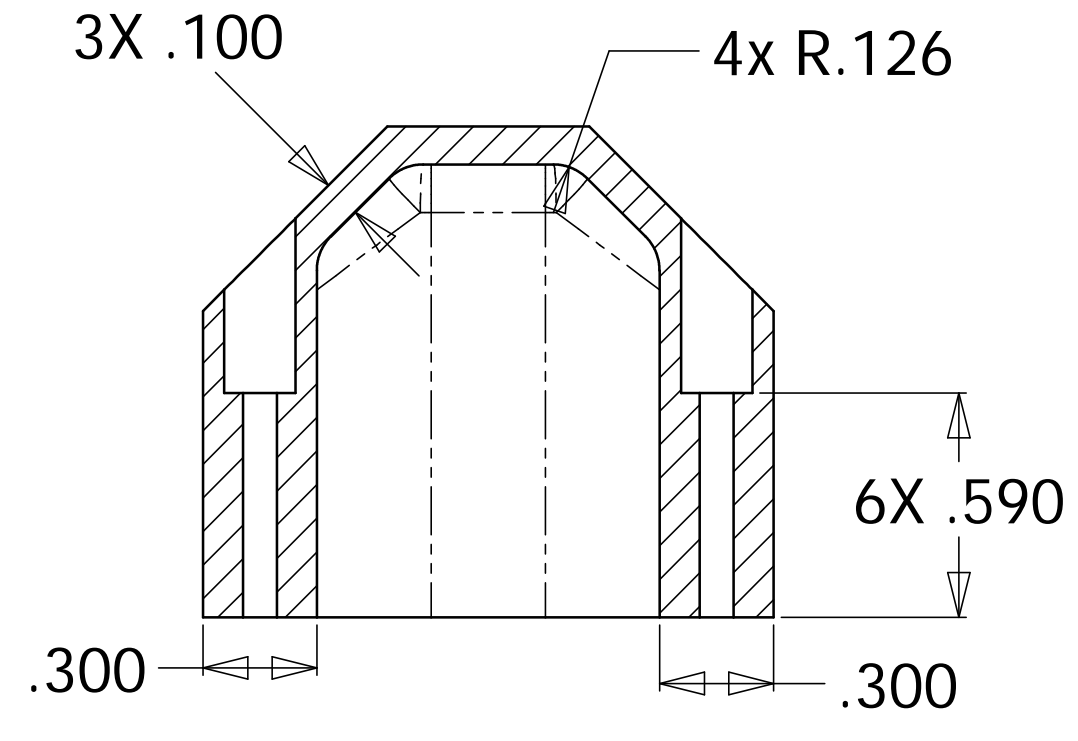
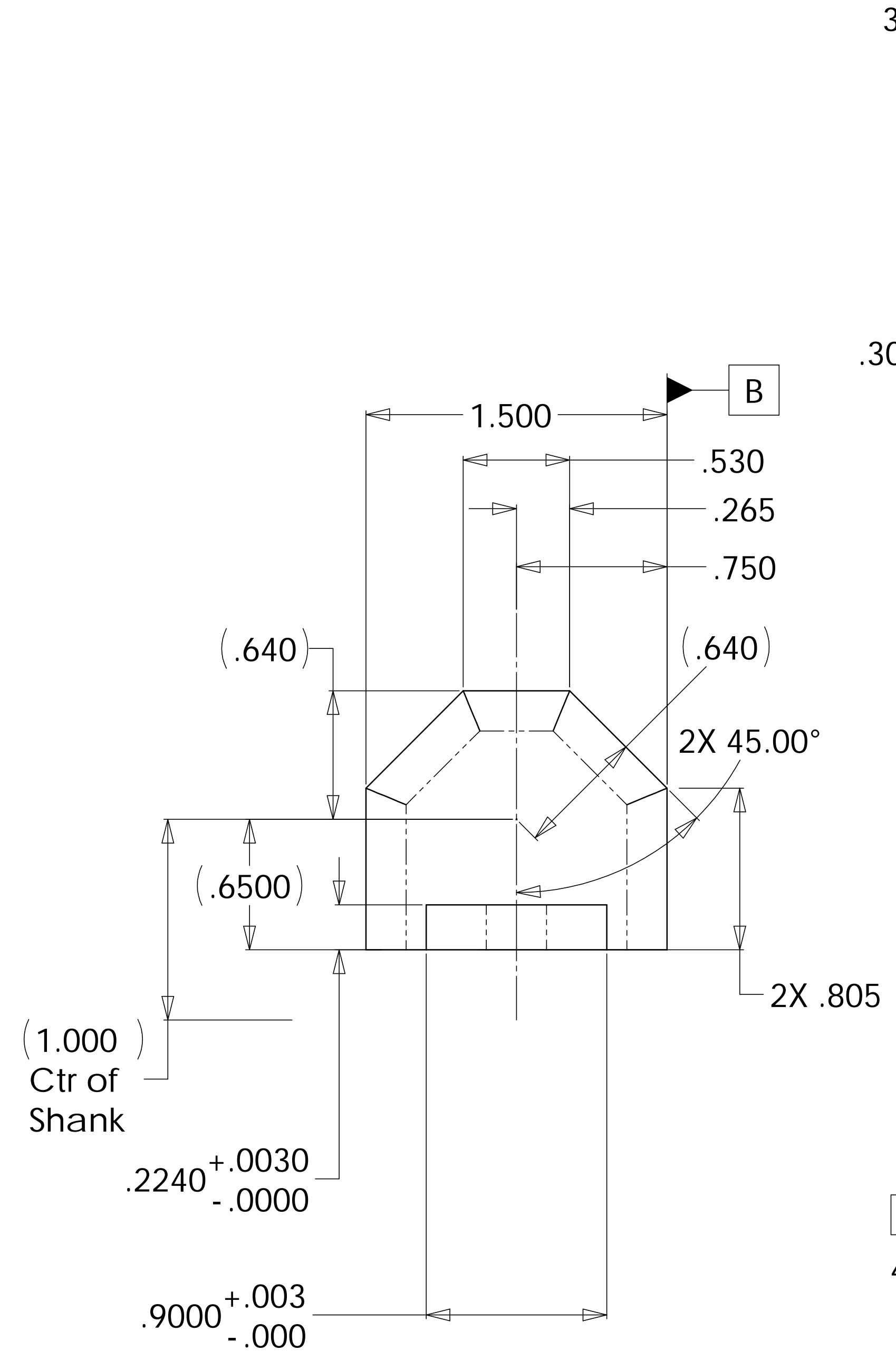
1 OF 2

ENVISIONERING PRODUCT DEVELOPMENT CLAIMS PROPRIETARY RIGHTS IN THE INFORMATION DISCLOSED HEREON. THIS DRAWING IS FURNISHED IN CONFIDENCE ON THE EXPRESS UNDERSTANDING THAT NEITHER IT NOR ANY REPRODUCTION THEREOF WILL BE DISCLOSED TO OTHERS OR USED FOR THE PURPOSE OF MANUFACTURE OR PROCUREMENT OF THE ARTICLE OR PART SHOWN HEREON.



ENVISIONERING PRODUCT DEVELOPMENT CLAIMS PROPRIETARY RIGHTS IN THE INFORMATION DISCLOSED HEREON. THIS DRAWING IS FURNISHED IN CONFIDENCE ON THE EXPRESS UNDERSTANDING THAT NEITHER IT NOR ANY REPRODUCTION THEREOF WILL BE DISCLOSED TO OTHERS OR USED FOR THE PURPOSE OF MANUFACTURE OR PROCUREMENT OF THE ARTICLE OR PART SHOWN HEREON.

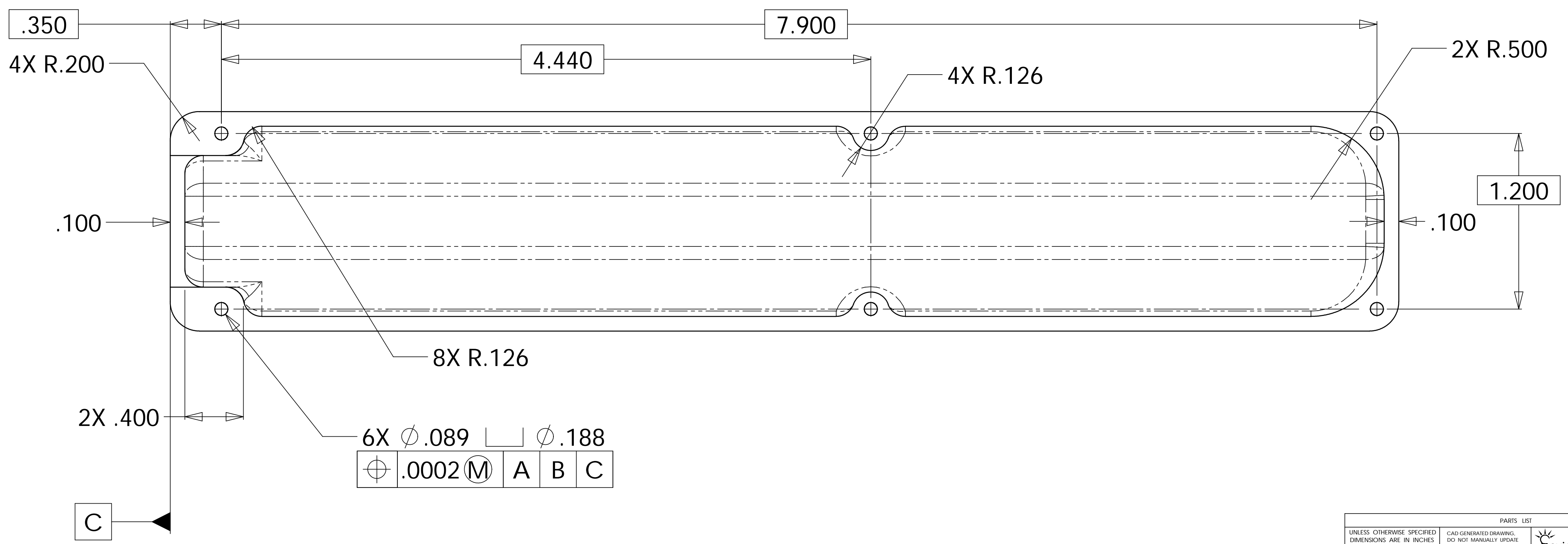
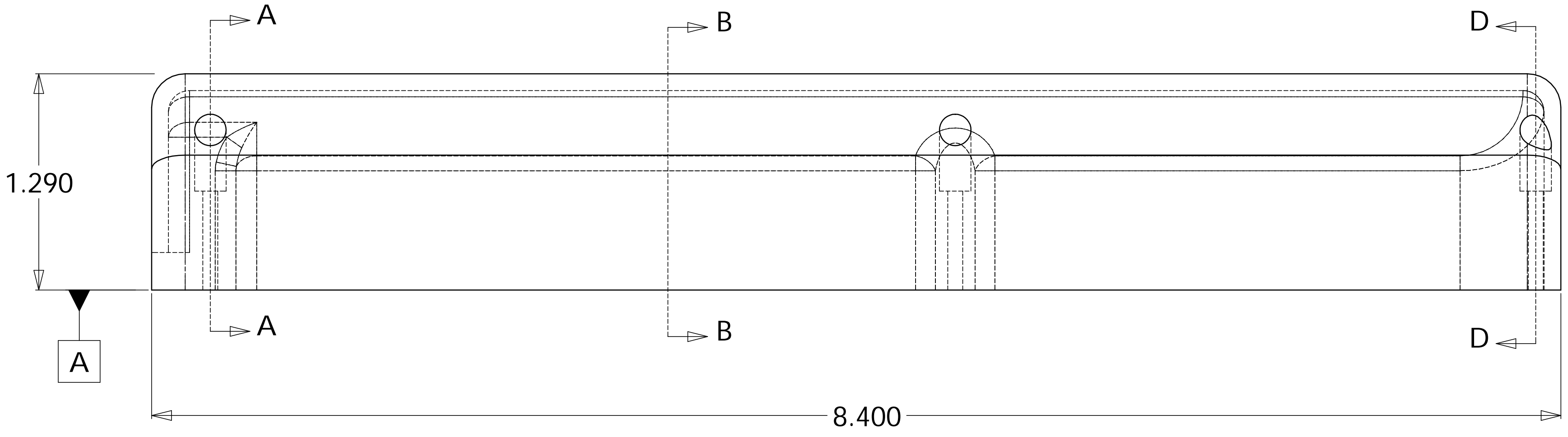
REV	DESCRIPTION	DATE	APPROVED



SECTION A-A
SCALE 2 : 1

SECTION B-B
SCALE 2 : 1

SECTION D-D
SCALE 2 : 1



PARTS LIST		APPROVALS		DATE	

UNLESS OTHERWISE SPECIFIED DIMENSIONS ARE IN INCHES. TOLERANCES ARE: .XX = ± 0.015, .XXX = ± 0.005, * = ± 0.3".

White Delrin

Product Development Corporation

Handle Cover

REV: A

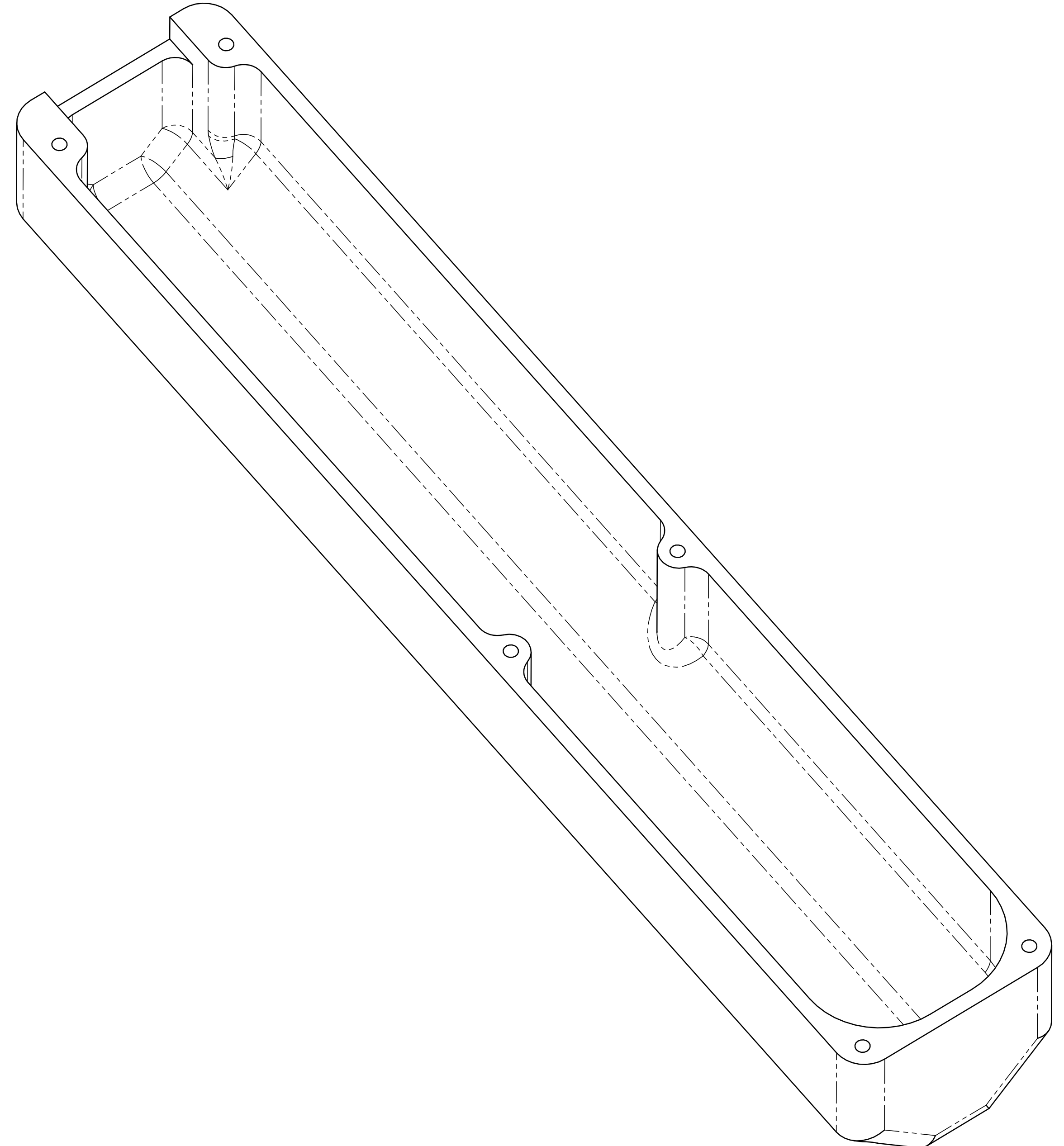
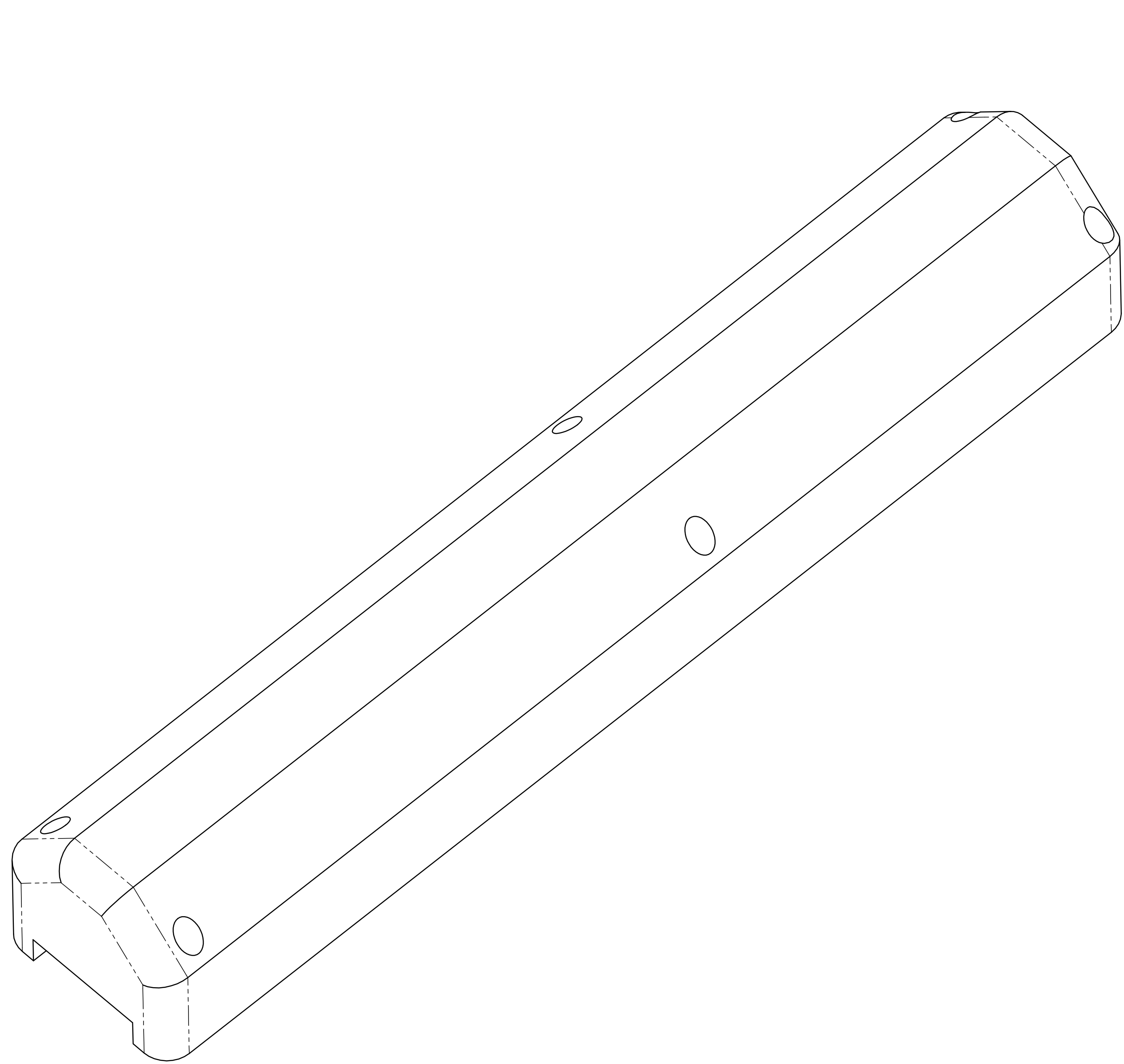
DWG NO: B02T122211

SCALE: 1:1

SHEET: 1 OF 2

ENVISIONERING PRODUCT DEVELOPMENT CLAIMS PROPRIETARY RIGHTS IN THE INFORMATION DISCLOSED HEREON. THIS DRAWING IS FURNISHED IN CONFIDENCE ON THE EXPRESS UNDERSTANDING THAT NEITHER IT NOR ANY REPRODUCTION THEREOF WILL BE DISCLOSED TO OTHERS OR USED FOR THE PURPOSE OF MANUFACTURE OR PROCUREMENT OF THE ARTICLE OR PART SHOWN HEREON.

REV		DESCRIPTION	DATE	APPROVED



UNLESS OTHERWISE SPECIFIED DIMENSIONS ARE IN INCHES TOLERANCES ARE:		PARTS LIST		Product Development Corporation	
XX	± 0.015	CAD GENERATED DRAWING. DO NOT MANUALLY UPDATE	APPROVALS	DATE	 Handle Cover
.XXX	± 0.005	DRAWN	CHECKED		
X"	± 0.3"	RESP'NG	RESP'NG		
FRESH		TECH'NG	TECH'NG		
NEXT ASSY	USED ON	DO NOT SCALE DRAWING	DATE ENG	SCALE 2:1	DWG NO: B02T122211 SHEET 2 OF 2