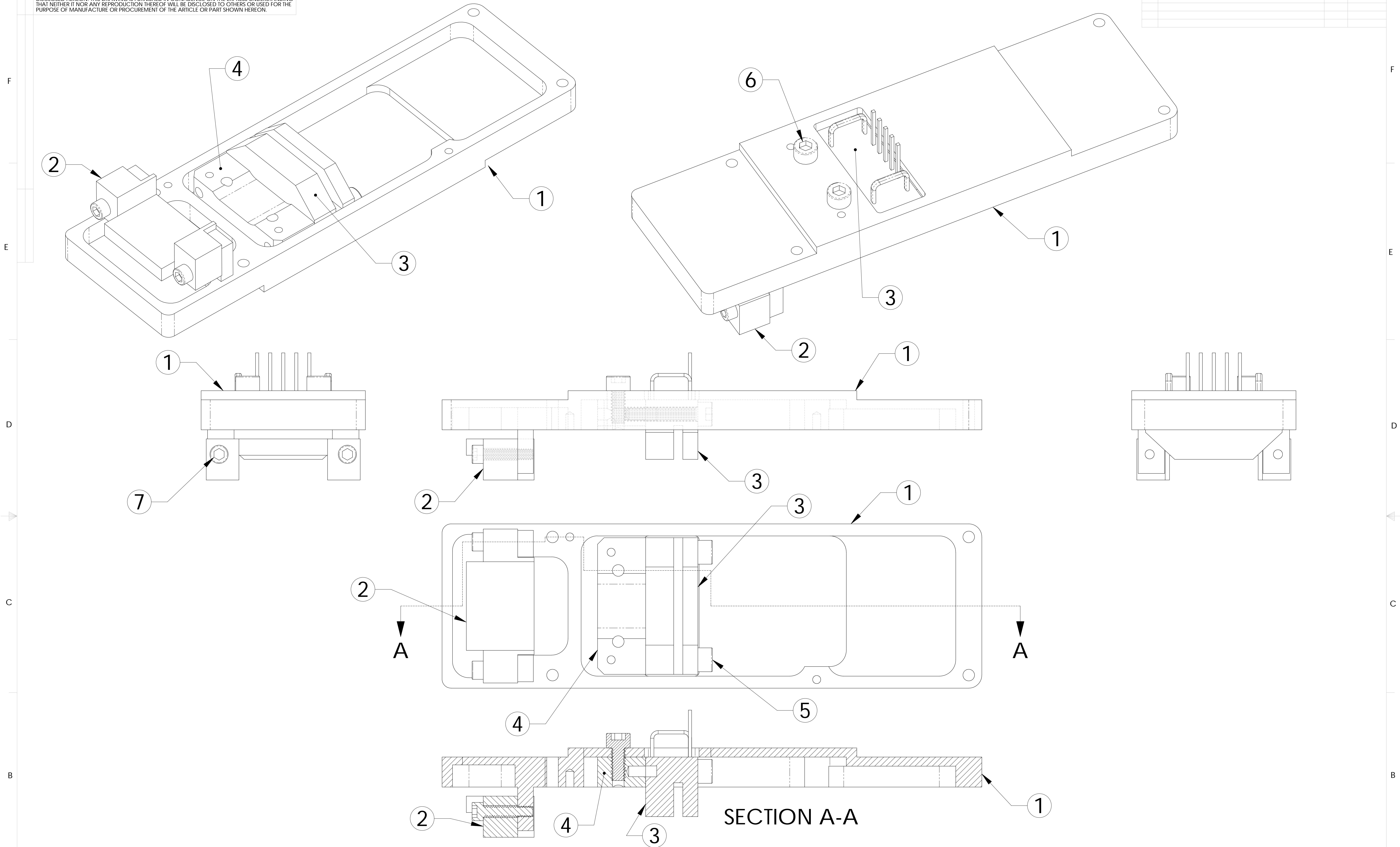


ENVISIONEERING PRODUCT DEVELOPMENT CLAIMS PROPRIETARY RIGHTS IN THE INFORMATION DISCLOSED HEREON. THIS DRAWING IS FURNISHED IN CONFIDENCE ON THE EXPRESS UNDERSTANDING THAT NEITHER IT NOR ANY REPRODUCTION THEREOF WILL BE DISCLOSED TO OTHERS OR USED FOR THE PURPOSE OF MANUFACTURE OR PROCUREMENT OF THE ARTICLE OR PART SHOWN HEREON.

REV.	DESCRIPTION	REVISIONS	DATE	APPROVED



ITEM NO.	QTY.	PART NO.	REV	DESCRIPTION
1	1	B02T122221	A	Encoder cover
2	1	MD6043		
3	1	HEDS-9100-100_module		
4	1	B02T122222	-	Threaded mount block
5	2	92196A111		
6	2	92196A106		
7	2	92200A079		

UNLESS OTHERWISE SPECIFIED DIMENSIONS ARE IN INCHES TOLERANCES ARE:

.XX = ± 0.015
.XXX = ± 0.005
.X° = ± 0.3°

DO NOT SCALE DRAWING

APPROVALS

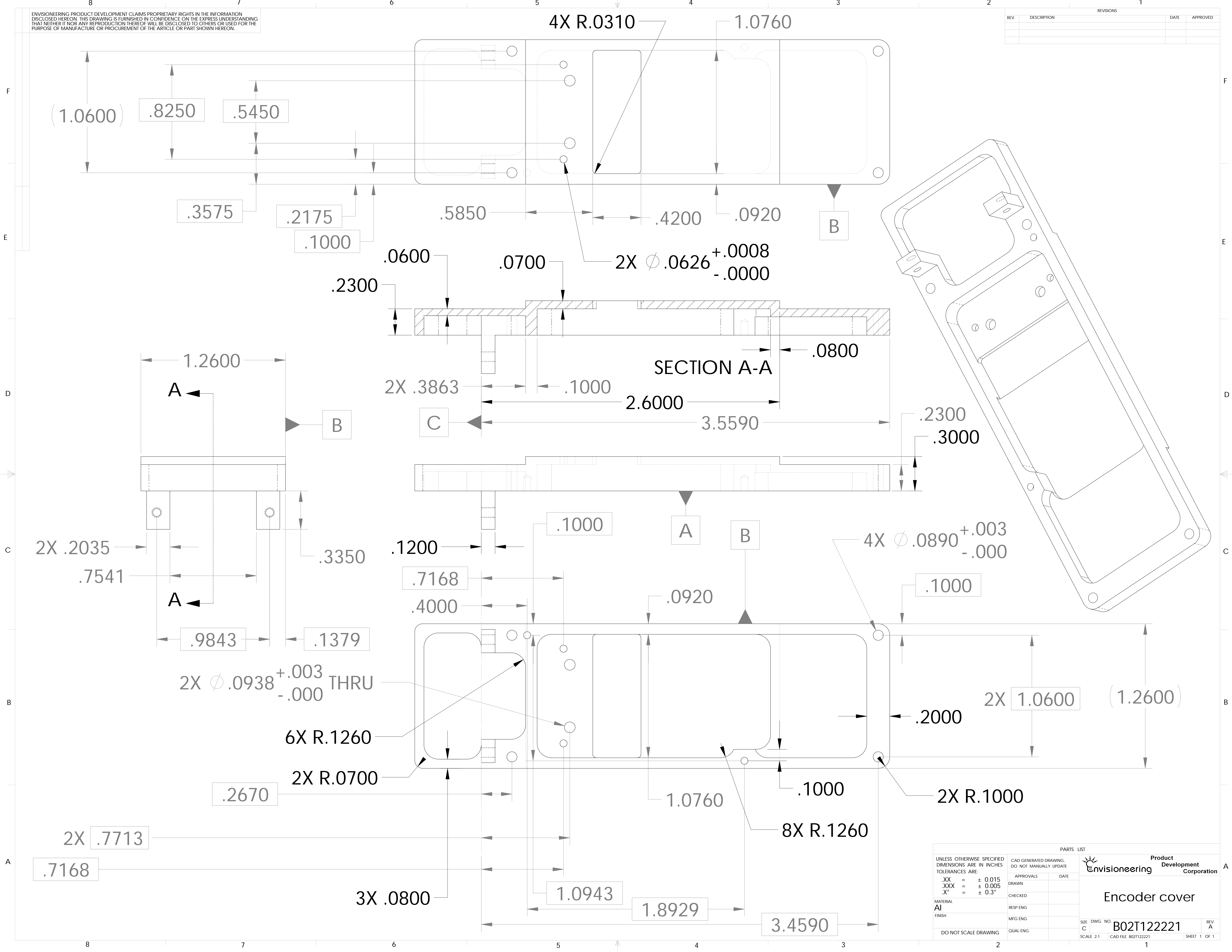
DRAWN	DATE
CHECKED	
RESP ENG	
MFG ENG	
QUAL ENG	

Product Development Corporation
Pickup cover mount

SIZE DWG. NO. B02T122251
SCALE 2:1 CAD FILE B02T122251 SHEET 1 OF 1

ENVISIONEERING PRODUCT DEVELOPMENT CLAIMS PROPRIETARY RIGHTS IN THE INFORMATION DISCLOSED HEREON. THIS DRAWING IS FURNISHED IN CONFIDENCE ON THE EXPRESS UNDERSTANDING THAT NEITHER IT NOR ANY REPRODUCTION THEREOF WILL BE DISCLOSED TO OTHERS OR USED FOR THE PURPOSE OF MANUFACTURE OR PROCUREMENT OF THE ARTICLE OR PART SHOWN HEREON.

REV.	DESCRIPTION	REVISIONS	DATE	APPROVED



UNLESS OTHERWISE SPECIFIED DIMENSIONS ARE IN INCHES TOLERANCES ARE:

- .XX = \pm 0.015
- .XXX = \pm 0.005
- .X° = \pm 0.3°

MATERIAL: AI
FINISH:

DO NOT SCALE DRAWING

CAD GENERATED DRAWING. DO NOT MANUALLY UPDATE

APPROVALS	DATE
DRAWN	
CHECKED	
RESP ENG	
MFG ENG	
QUAL ENG	

PARTS LIST

REV	DESCRIPTION	DATE	APPROVED

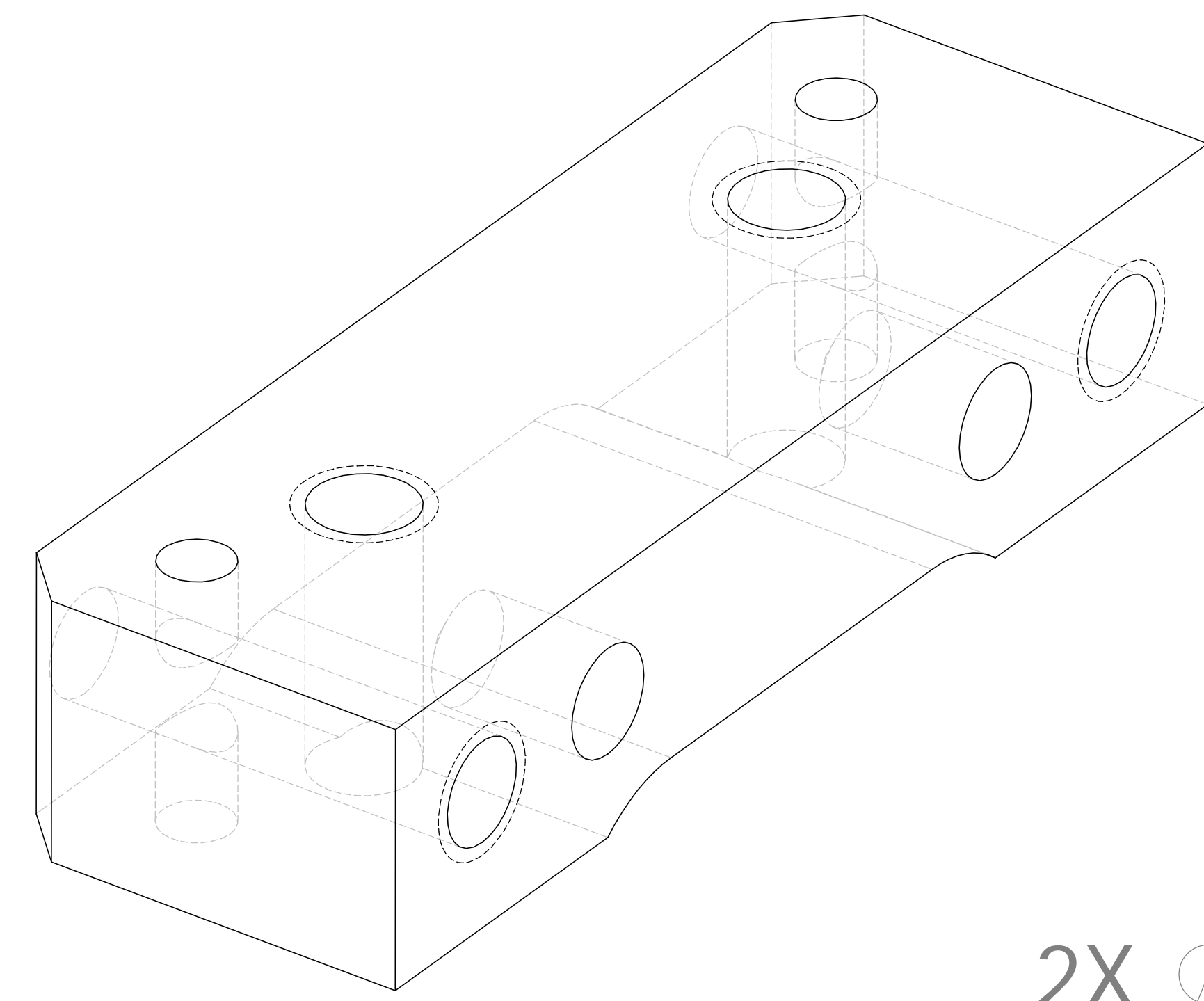
Product Development Corporation

Encoder cover

SIZE: C DWG. NO: B02T122221 REV: A
SCALE: 2:1 CAD FILE: B02T122221 SHEET 1 OF 1

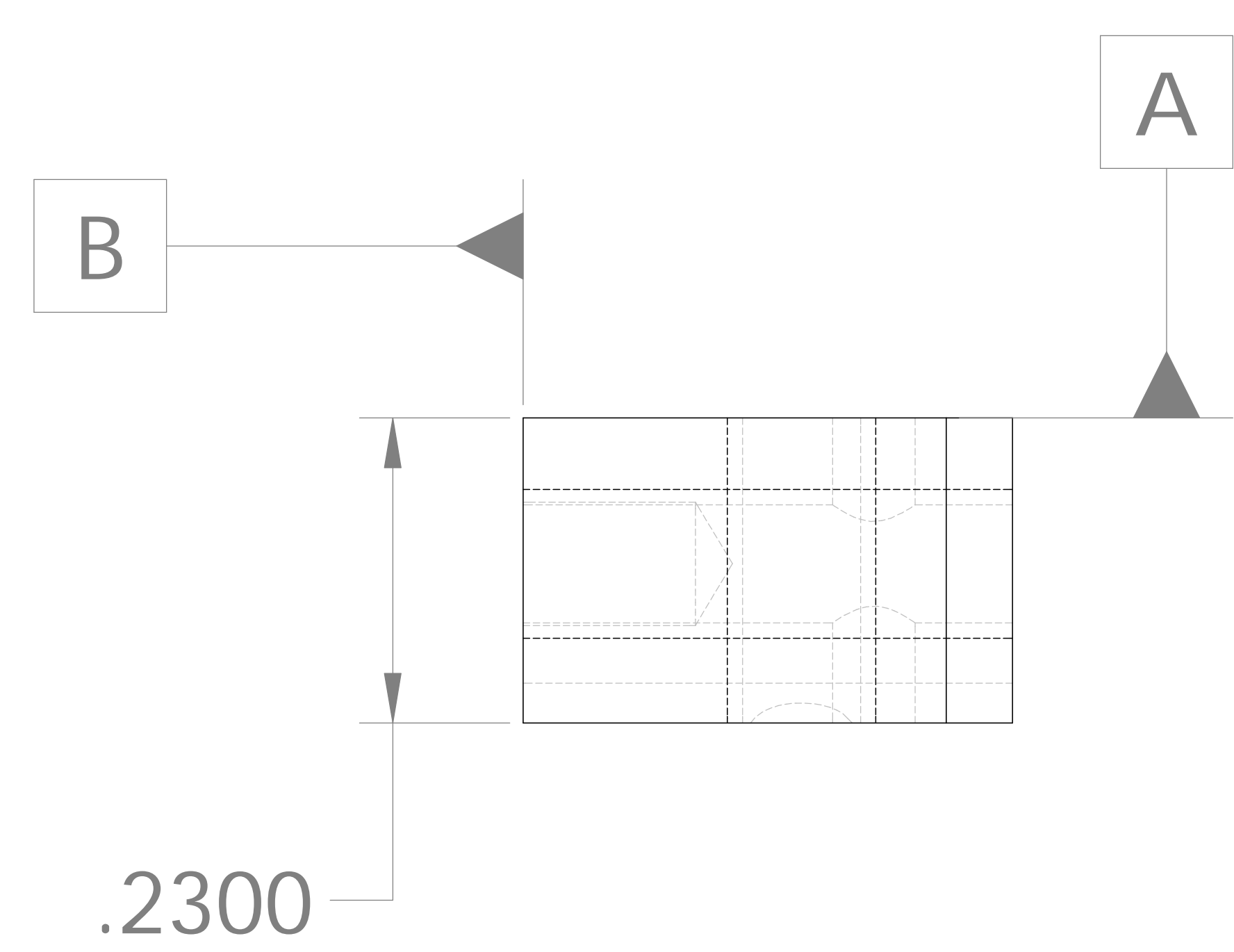
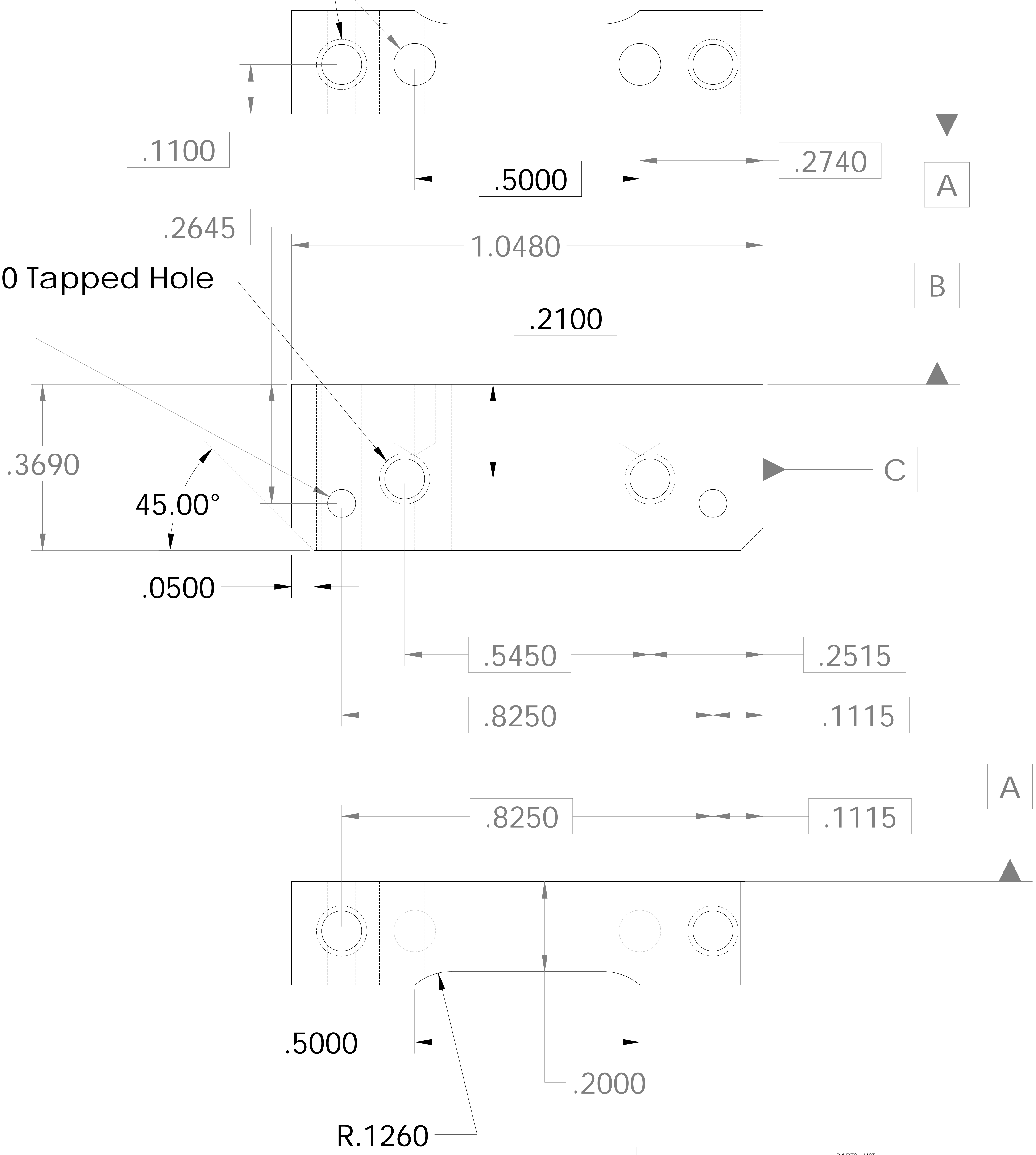
ENVISIONEERING PRODUCT DEVELOPMENT CLAIMS PROPRIETARY RIGHTS IN THE INFORMATION DISCLOSED HEREON. THIS DRAWING IS FURNISHED IN CONFIDENCE ON THE EXPRESS UNDERSTANDING THAT NEITHER IT NOR ANY REPRODUCTION THEREOF WILL BE DISCLOSED TO OTHERS OR USED FOR THE PURPOSE OF MANUFACTURE OR PROCUREMENT OF THE ARTICLE OR PART SHOWN HEREON.

REV.	DESCRIPTION	REVISIONS	DATE	APPROVED



2X #4-40 Tapped Hole
 $2X \ \phi .0932^{+.0005}_{-.0000} \ \downarrow .1300$

2X #4-40 Tapped Hole
 $2X \ \phi .0621^{+.00025}_{-.00000} \ \text{THRU}$
 45.00°



PARTS LIST		UNLESS OTHERWISE SPECIFIED DIMENSIONS ARE IN INCHES TOLERANCES ARE:		CAD GENERATED DRAWING. DO NOT MANUALLY UPDATE	
.XX	= ± 0.015	APPROVALS	DATE		
.XXX	= ± 0.005	DRAWN			
.X°	= ± 0.3°	CHECKED			
		RESP ENG			
MATERIAL	AI	MFG ENG		Threaded mount block	
FINISH		QUAL ENG			
NEXT ASSY	USED ON	SCALE	5:1	DWG. NO.	B02T122222
APPLICATION		DO NOT SCALE DRAWING		CAD FILE	B02T122222
				SHEET	1 OF 1