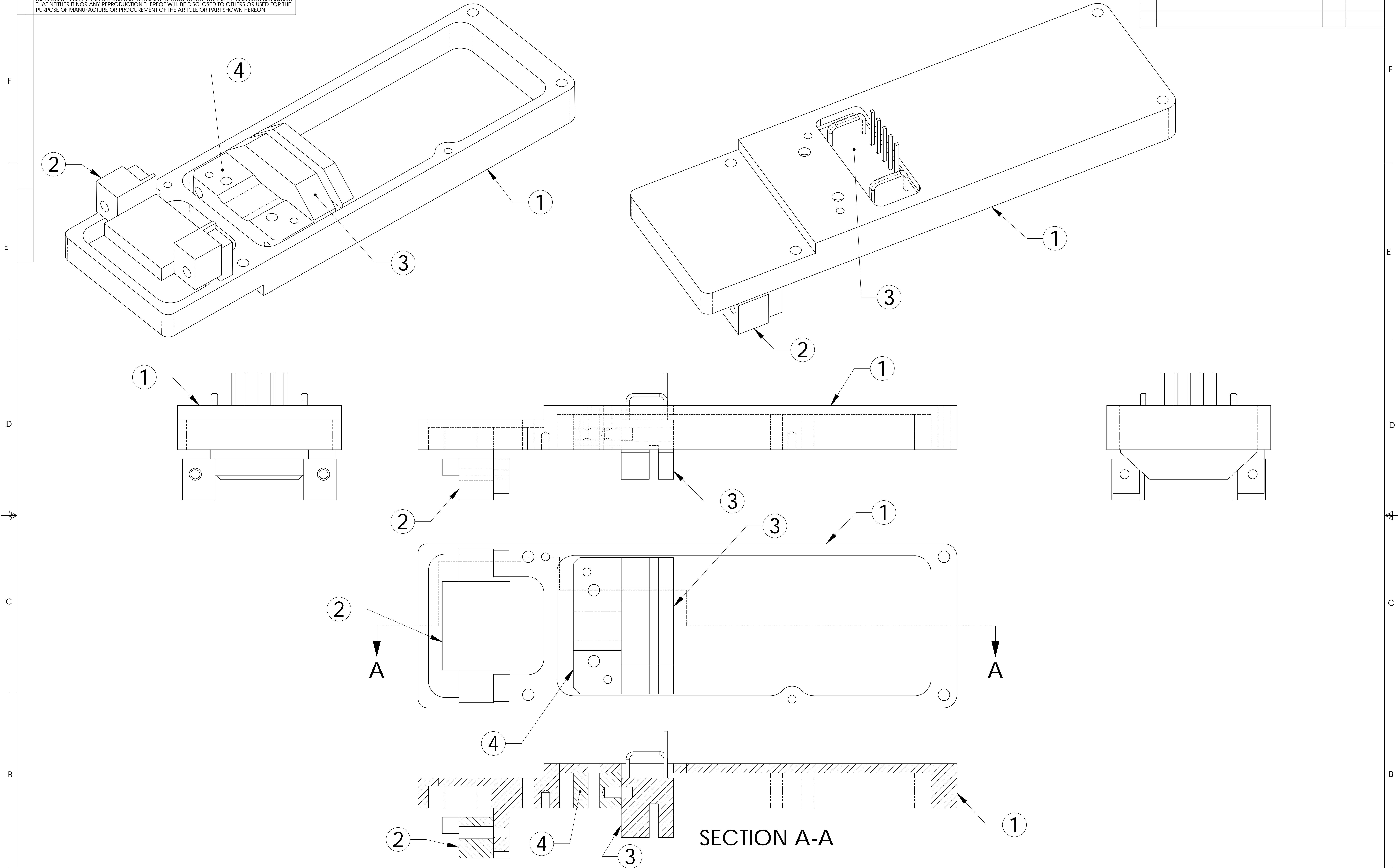


RESPONSE MECHANICS CLAIMS PROPRIETARY RIGHTS IN THE INFORMATION DISCLOSED HEREON. THIS DRAWING IS FURNISHED IN CONFIDENCE ON THE EXPRESS UNDERSTANDING THAT NEITHER IT NOR ANY REPRODUCTION THEREOF WILL BE DISCLOSED TO OTHERS OR USED FOR THE PURPOSE OF MANUFACTURE OR PROCUREMENT OF THE ARTICLE OR PART SHOWN HEREON.

REVISIONS		DATE	APPROVED
REV.	DESCRIPTION		



ITEM NO.	QTY.	PART NO.	REV	DESCRIPTION
1	1	B02T12221	-	Encoder cover
2	1	MD6043		
3	1	HEDS-9100-100_module		
4	1	B02T12222	-	Threaded mount block

PARTS LIST		APPROVALS	DATE
UNLESS OTHERWISE SPECIFIED DIMENSIONS ARE IN INCHES TOLERANCES ARE:		CAD GENERATED DRAWING. DO NOT MANUALLY UPDATE	
.XX = ± 0.015	.XXX = ± 0.005	DRAWN	
.X° = ± 0.3°		CHECKED	
MATERIAL		RESP ENG	
FINISH		MFG ENG	
NEXT ASSY	USED ON	QUAL ENG	
APPLICATION	DO NOT SCALE DRAWING		

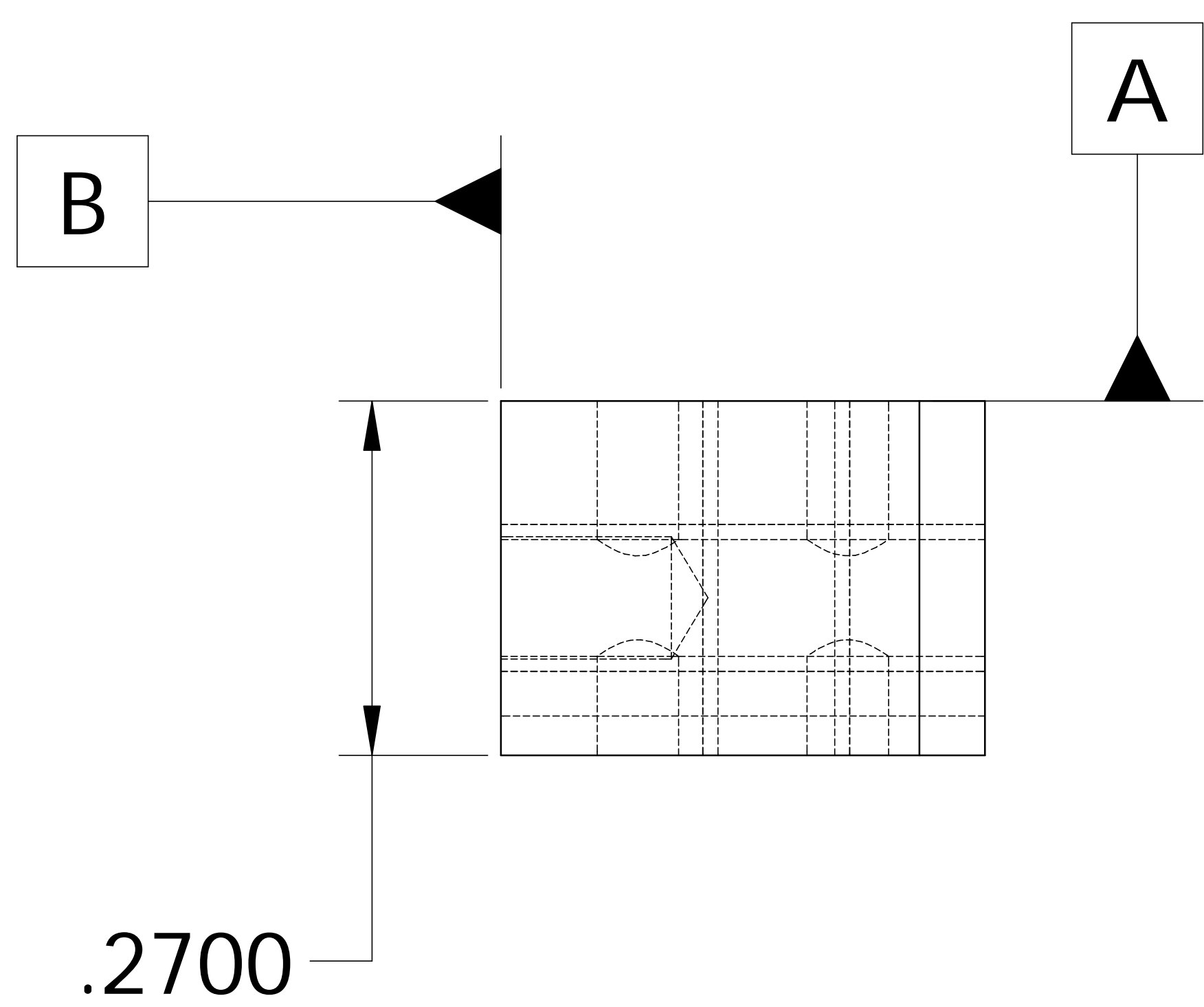
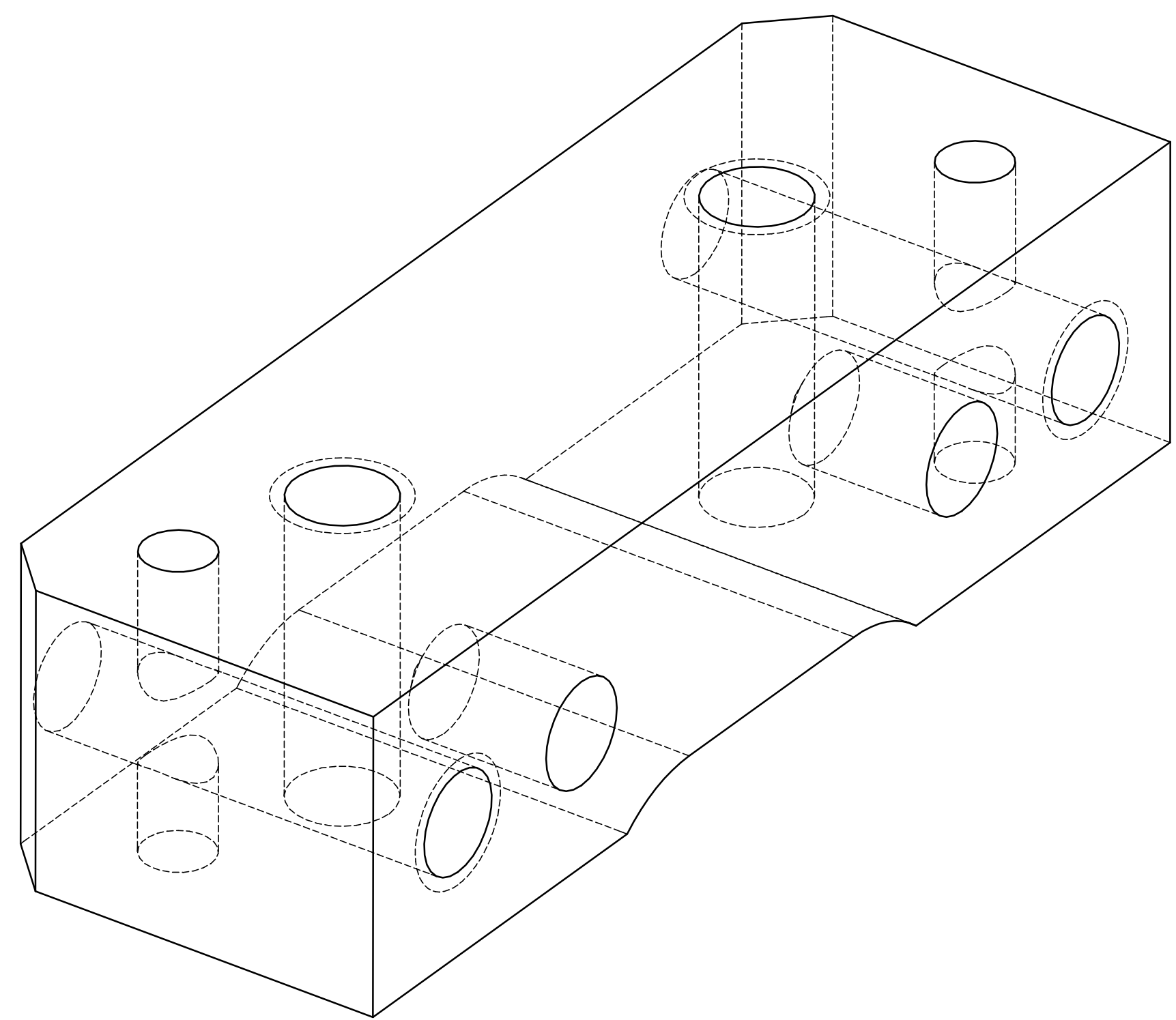
  

Pickup cover mount	
SIZE C	DWG. NO. B02T122251
SCALE 2:1	CAD FILE B02T122251
SHEET 1	OF 1



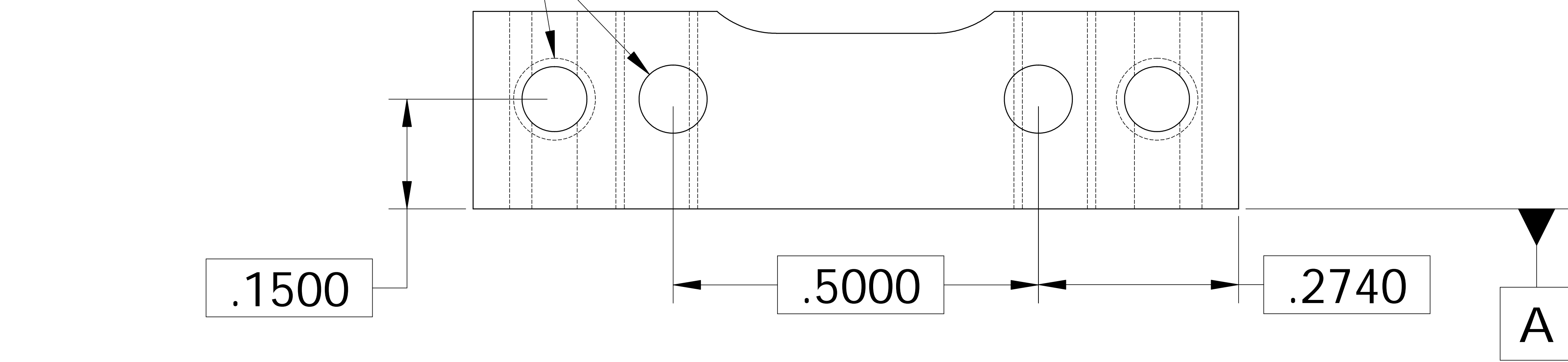
RESPONSE MECHANICS CLAIMS PROPRIETARY RIGHTS IN THE INFORMATION DISCLOSED HEREON. THIS DRAWING IS FURNISHED IN CONFIDENCE ON THE EXPRESS UNDERSTANDING THAT NEITHER IT NOR ANY REPRODUCTION THEREOF WILL BE DISCLOSED TO OTHERS OR USED FOR THE PURPOSE OF MANUFACTURE OR PROCUREMENT OF THE ARTICLE OR PART SHOWN HEREON.

REVISIONS		DATE	APPROVED
REV.	DESCRIPTION		

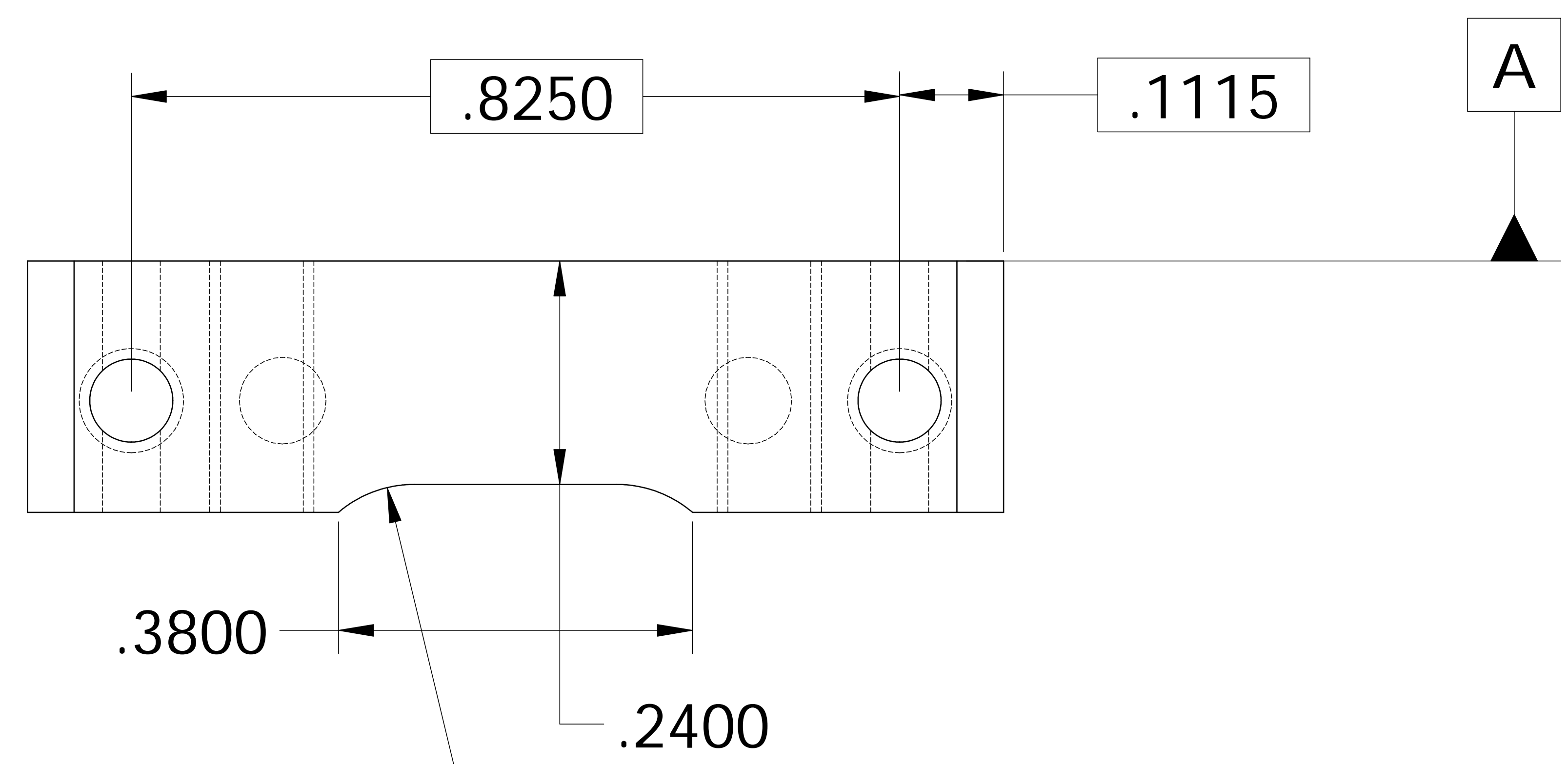
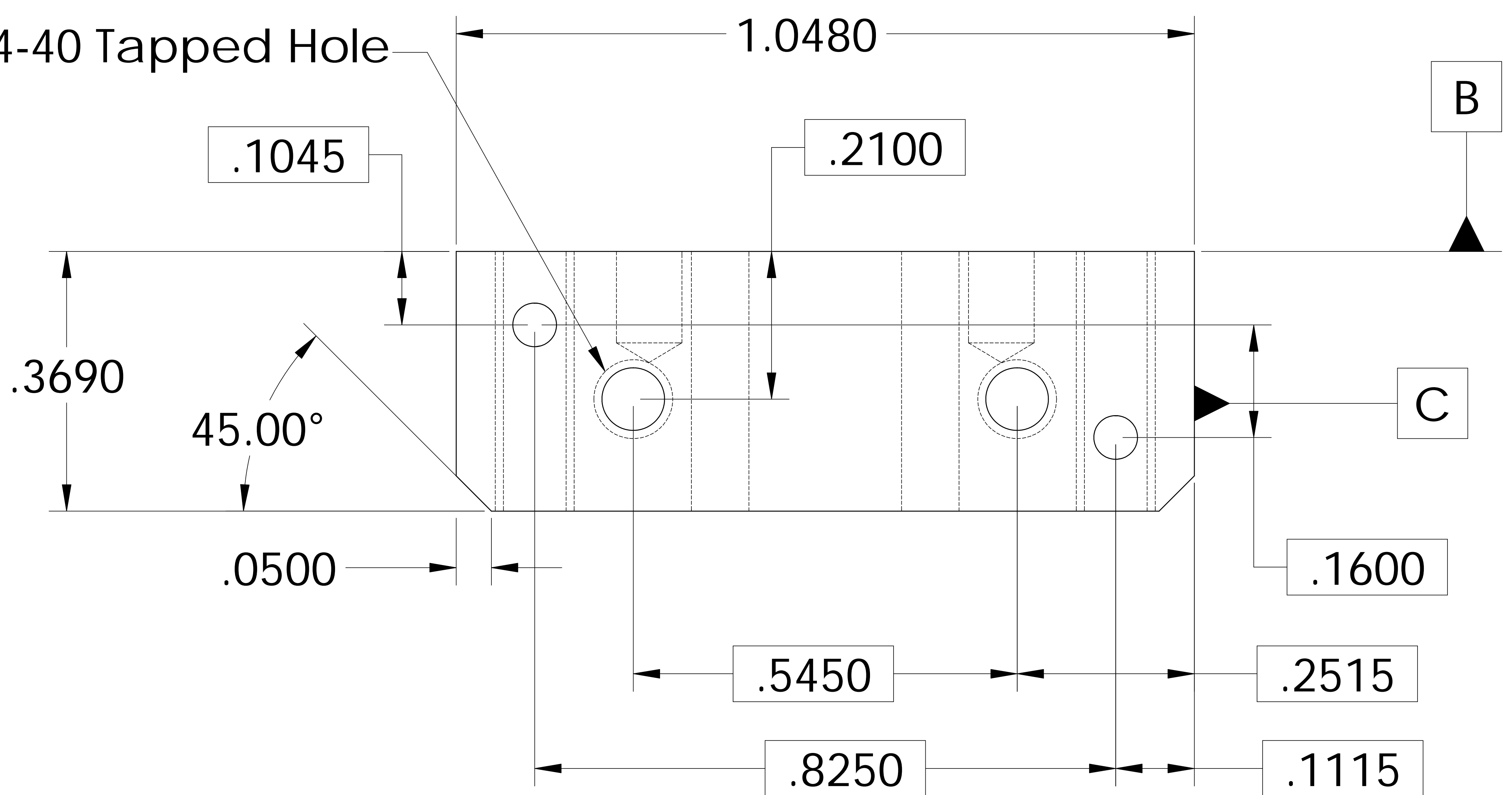


2X  $\phi$ .0932  $\nabla$ .1300

2x #4-40 Tapped Hole



2X #4-40 Tapped Hole



R.1260

PARTS LIST	
UNLESS OTHERWISE SPECIFIED DIMENSIONS ARE IN INCHES TOLERANCES ARE:	
.XX	= ± 0.015
.XXX	= ± 0.005
.X°	= ± 0.3°
MATERIAL	AI
FINISH	
APPROVALS	DATE
DRAWN	
CHECKED	
RESP ENG	
MFG ENG	
QUAL ENG	
SCALE 5:1	CAD FILE B02T122222
DWG. NO. B02T122222	REV. -
SHEET 1 OF 1	

Threaded mount block

NEXT ASSY	USED ON	APPLICATION

DO NOT SCALE DRAWING