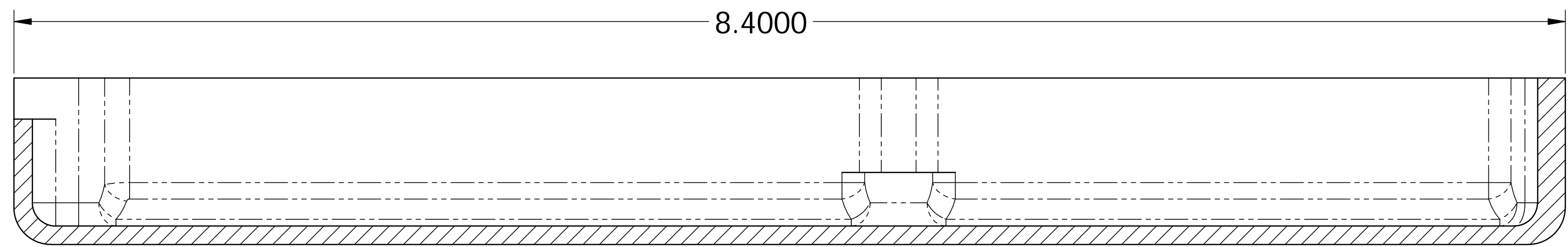
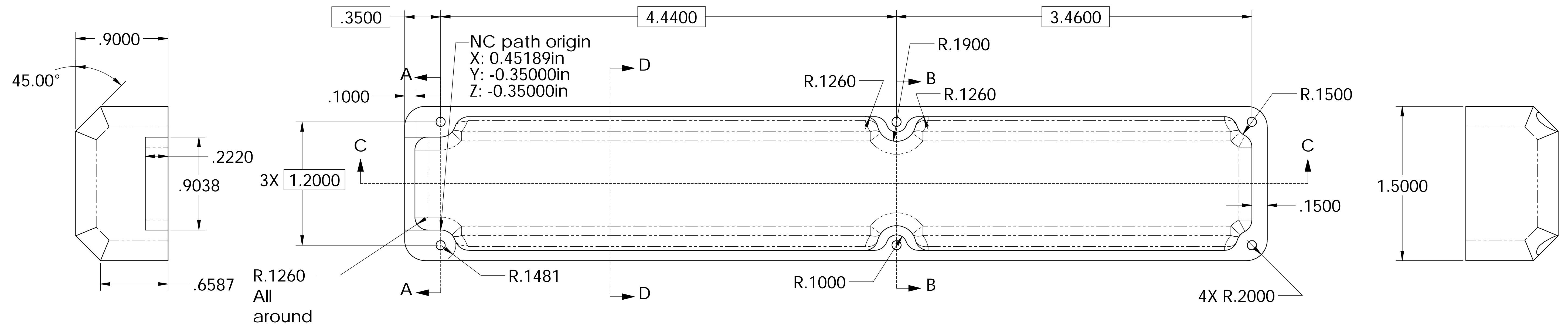
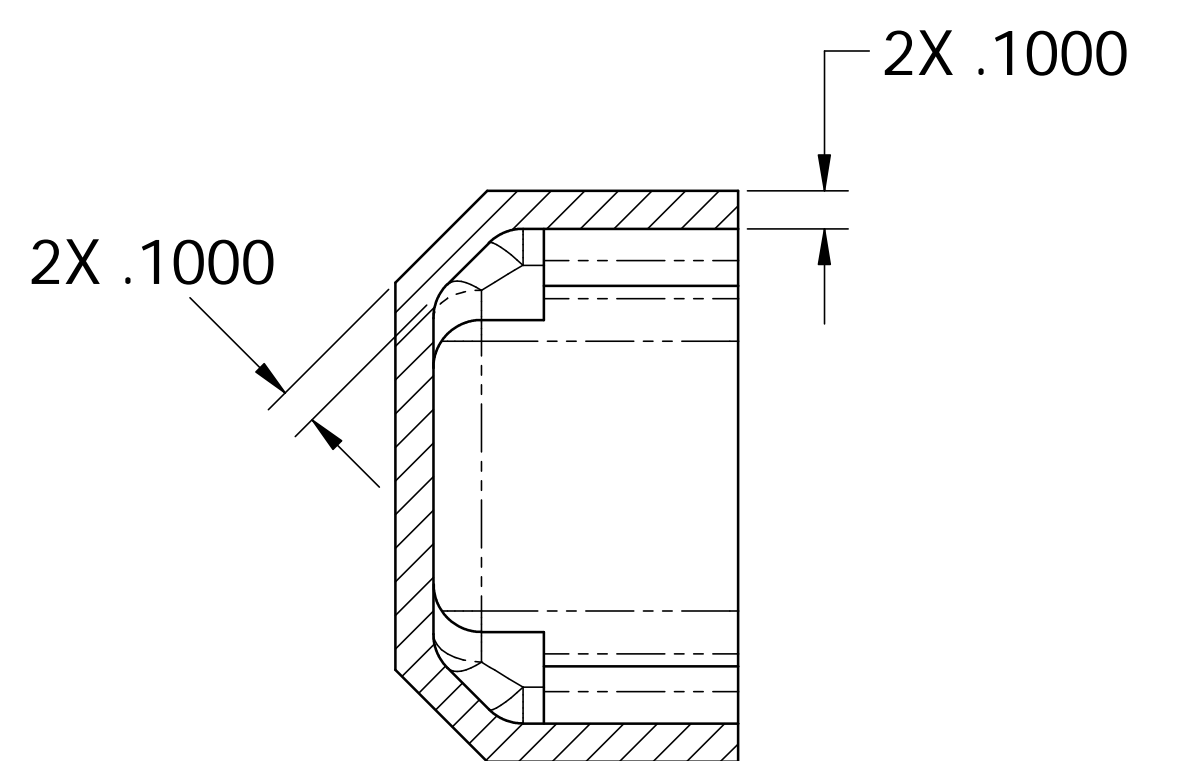
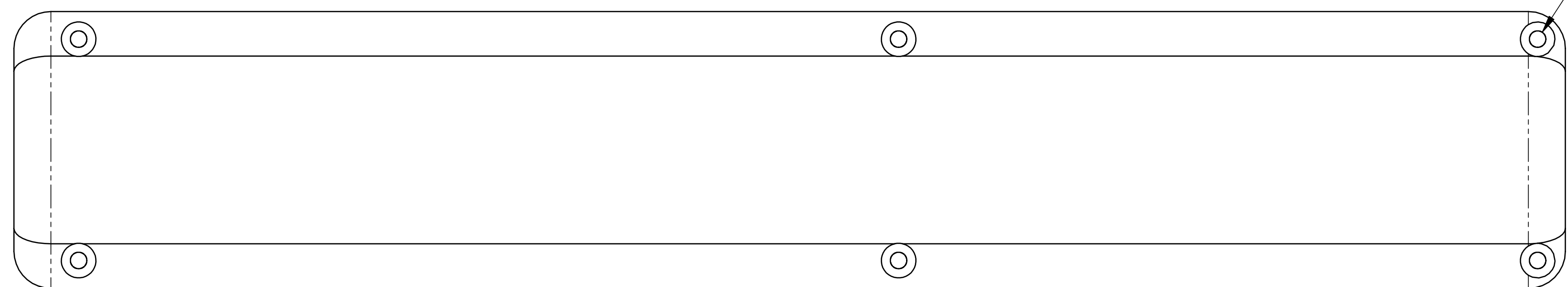


ENVISIONERING PRODUCT DEVELOPMENT CLAIMS PROPRIETARY RIGHTS IN THE INFORMATION DISCLOSED HEREON. THIS DRAWING IS FURNISHED IN CONFIDENCE ON THE EXPRESS UNDERSTANDING THAT NEITHER IT NOR ANY REPRODUCTION THEREOF WILL BE DISCLOSED TO OTHERS OR USED FOR THE PURPOSE OF MANUFACTURE OR PROCUREMENT OF THE ARTICLE OR PART SHOWN HEREON.

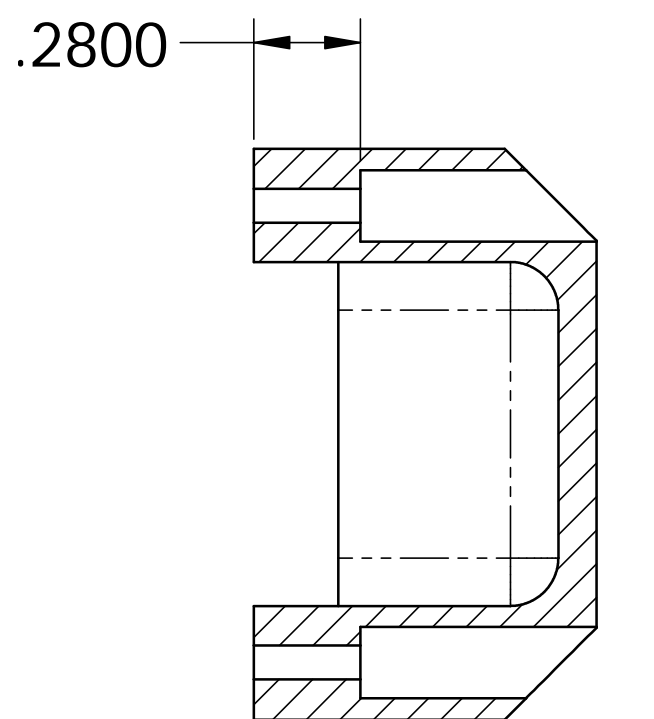
REVISIONS		DATE	APPROVED
REV	DESCRIPTION		



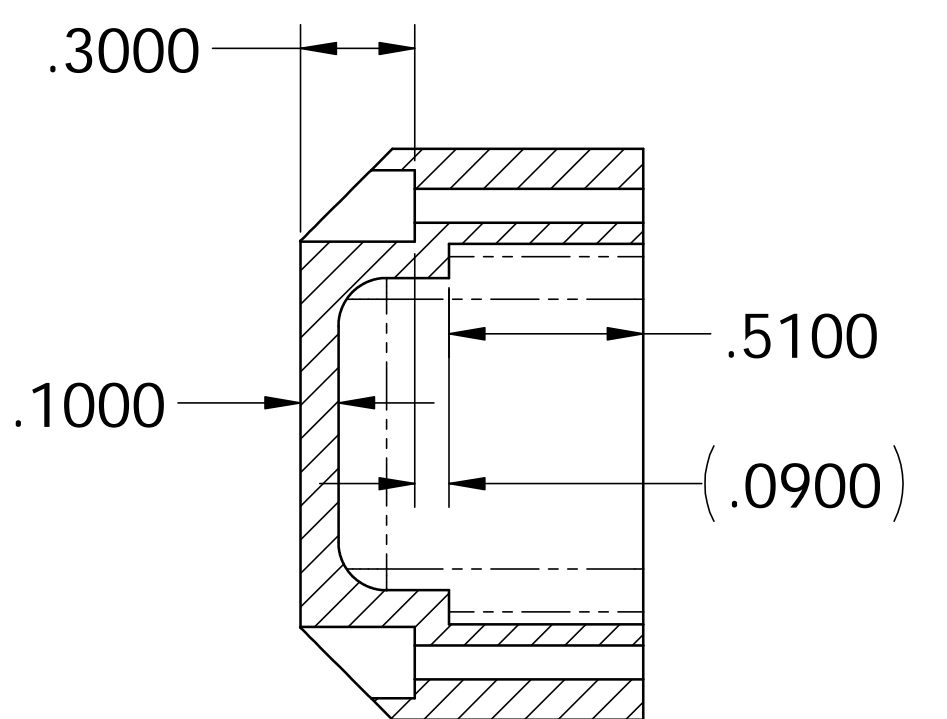
SECTION C-C



SECTION D-D



SECTION A-A



SECTION B-B

UNLESS OTHERWISE SPECIFIED DIMENSIONS ARE IN INCHES TOLERANCES ARE:		PARTS LIST		Product Development Corporation	
XXX	± 0.015	CADD GENERATED DRAWING. DO NOT MANUALLY UPDATE.		envisioneering	
.XXX	± 0.005	APPROVALS	DATE	Handle cover	
X"	± 0.3"	DRAWN		REV	
MATERIALS		CHECKED		B02T122230	
White Delrin		RESP'NG		SCALE 2:1	
FRESH		TYP'NG		SHEET 1 OF 2	
NEXT ASSY	USED ON	DATE ENG		CAD FILE B02T122230	
APPLICATION		DO NOT SCALE DRAWING		DATE	

ENVISIONERING PRODUCT DEVELOPMENT CLAIMS PROPRIETARY RIGHTS IN THE INFORMATION DISCLOSED HEREON. THIS DRAWING IS FURNISHED IN CONFIDENCE ON THE EXPRESS UNDERSTANDING THAT NEITHER IT NOR ANY REPRODUCTION THEREOF WILL BE DISCLOSED TO OTHERS OR USED FOR THE PURPOSE OF MANUFACTURE OR PROCUREMENT OF THE ARTICLE OR PART SHOWN HEREON.

