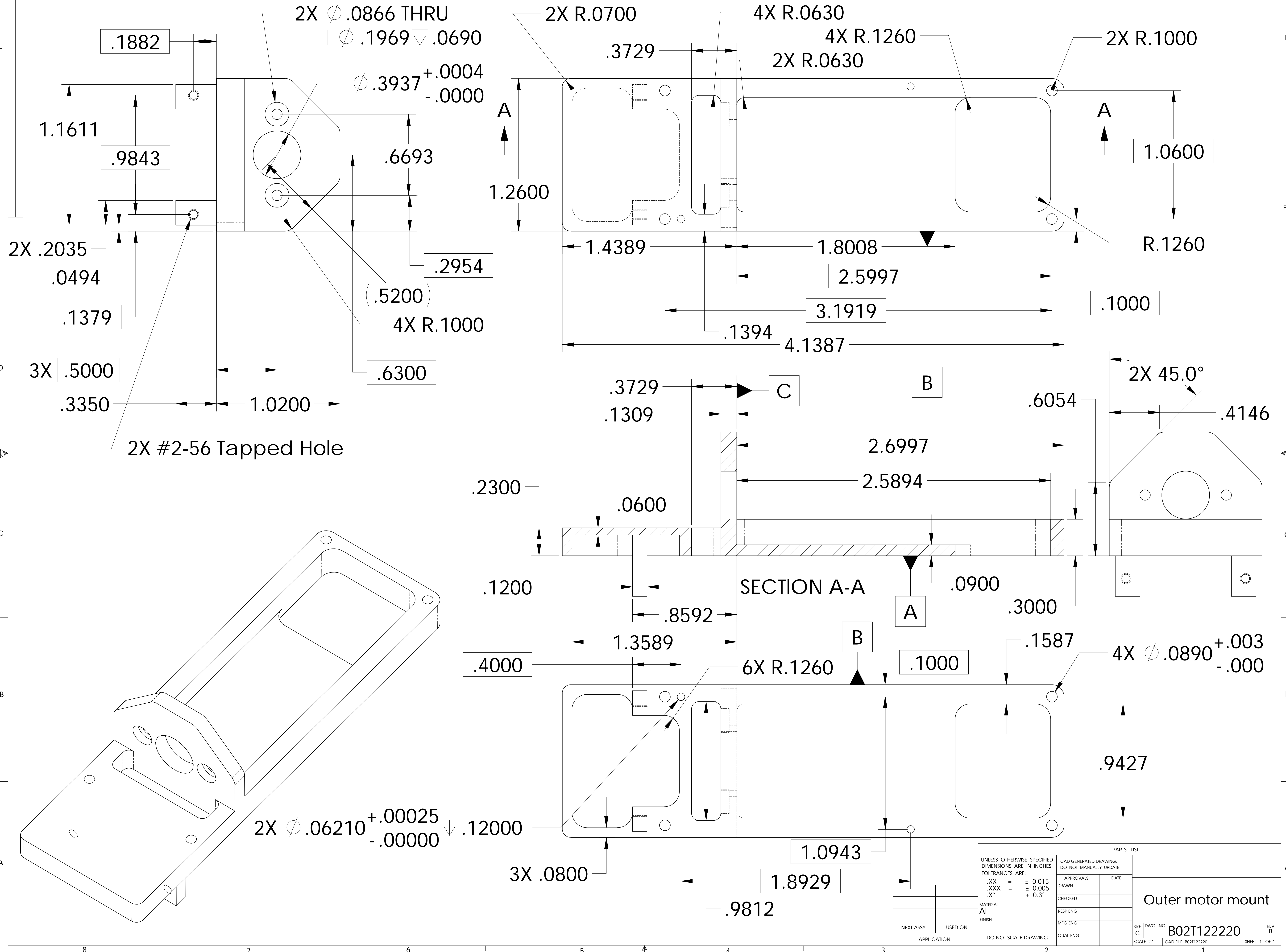


RESPONSE MECHANICS CLAIMS PROPRIETARY RIGHTS IN THE INFORMATION DISCLOSED HEREON. THIS DRAWING IS FURNISHED IN CONFIDENCE ON THE EXPRESS UNDERSTANDING THAT NEITHER IT NOR ANY REPRODUCTION THEREOF WILL BE DISCLOSED TO OTHERS OR USED FOR THE PURPOSE OF MANUFACTURE OR PROCUREMENT OF THE ARTICLE OR PART SHOWN HEREON.

REV.	DESCRIPTION	DATE	APPROVED



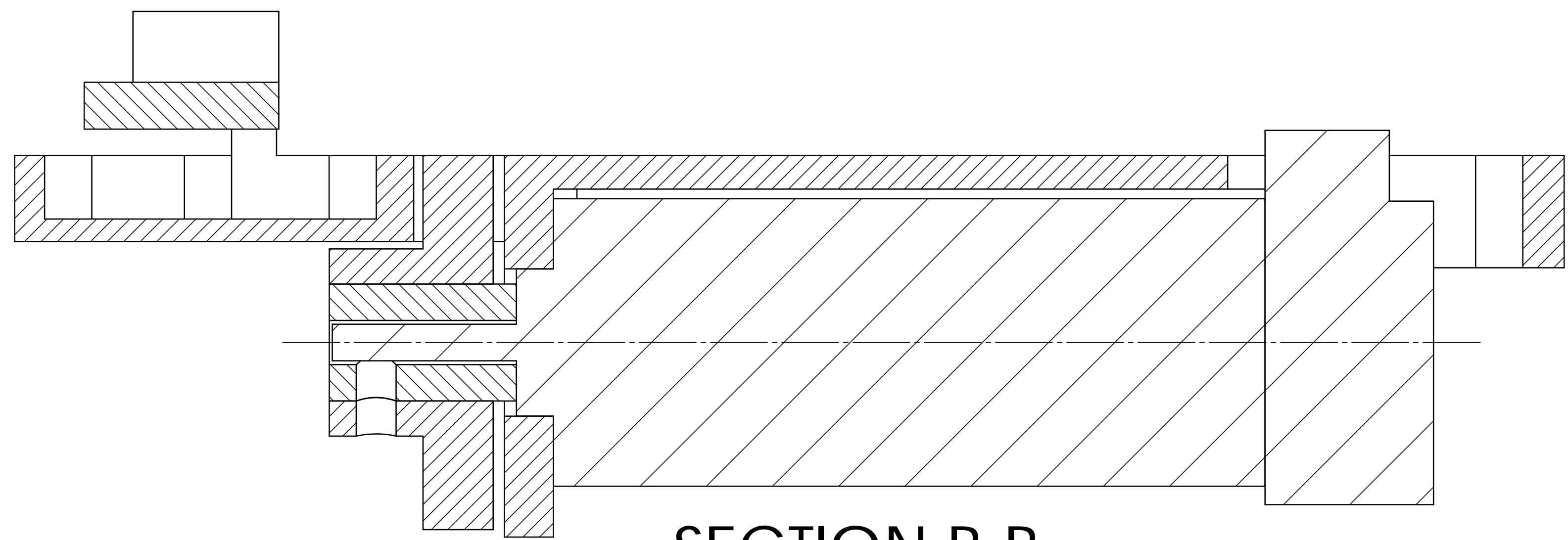
UNLESS OTHERWISE SPECIFIED DIMENSIONS ARE IN INCHES TOLERANCES ARE:  
 XX =  $\pm$  0.015  
 XXX =  $\pm$  0.005  
 X° =  $\pm$  0.3°

APPROVALS		DATE
DRAWN		
CHECKED		
RESP ENG		
MFG ENG		
QUAL ENG		

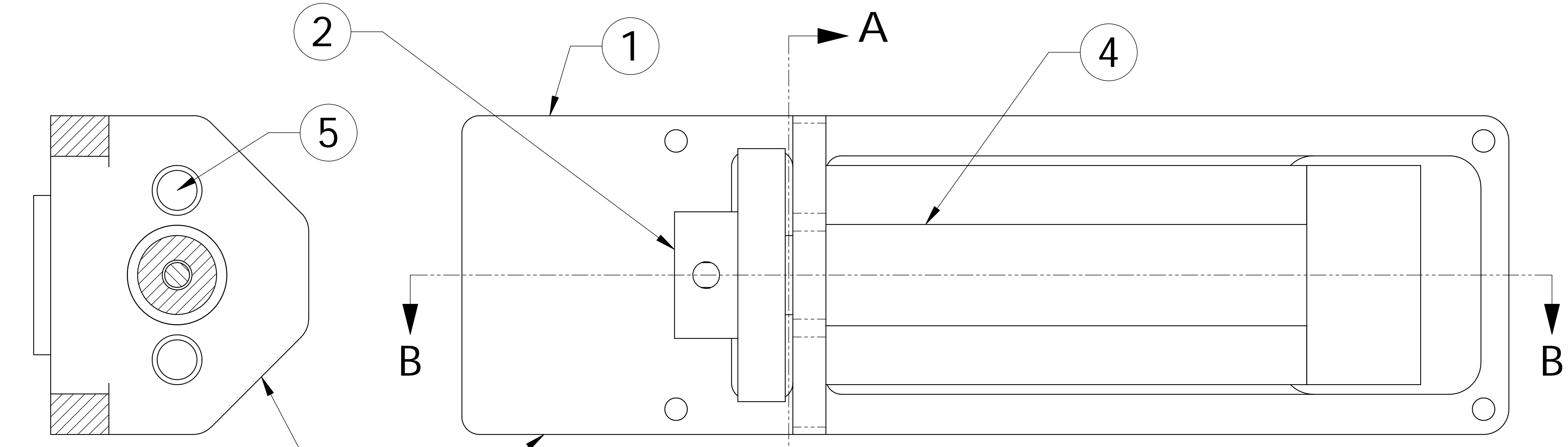
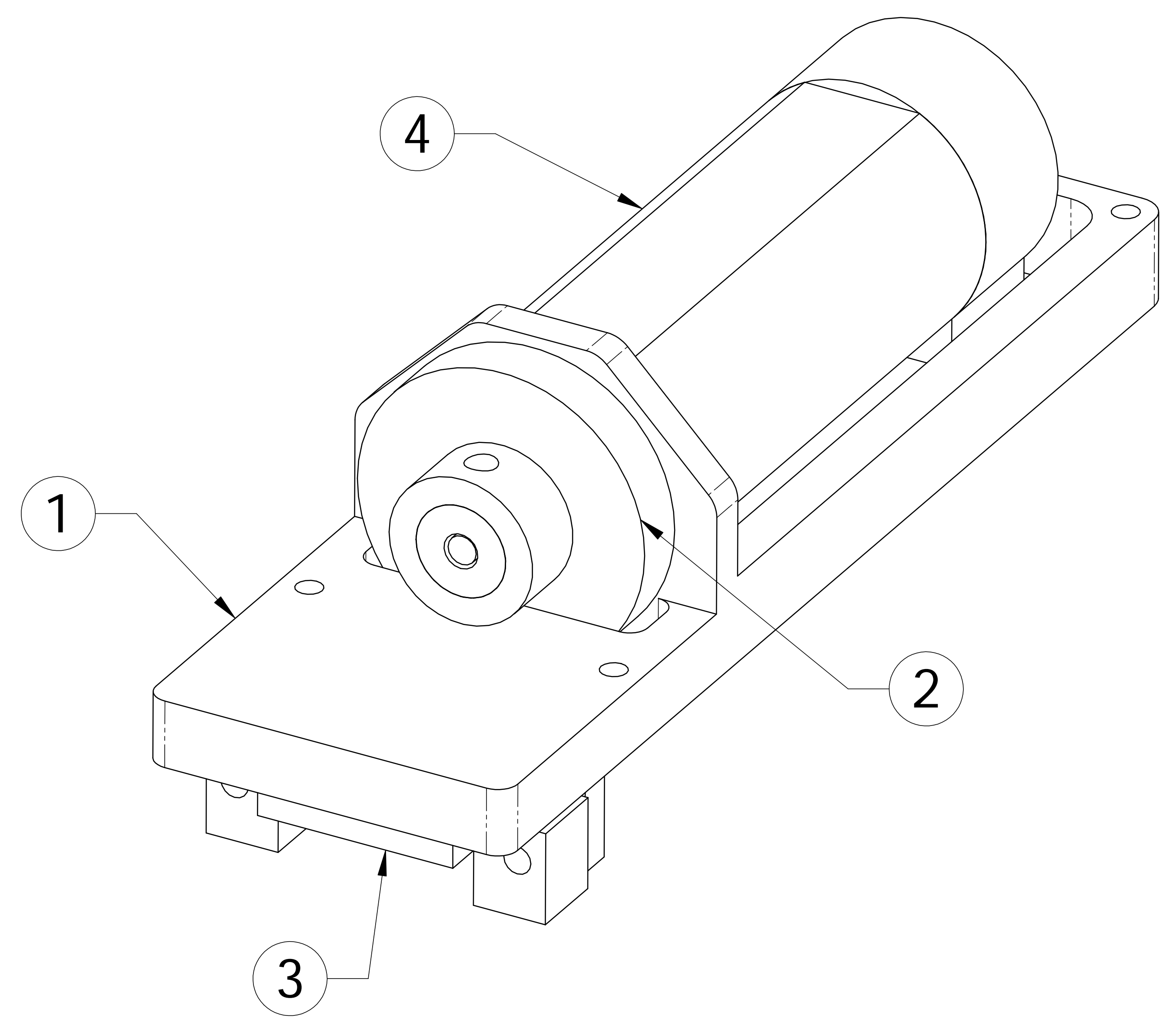
PARTS LIST	
CAD GENERATED DRAWING. DO NOT MANUALLY UPDATE.	
Outer motor mount	
SIZE C	DWG. NO. B02T122220
SCALE 2:1	CAD FILE B02T122220
	SHEET 1 OF 1

RESPONSE MECHANICS CLAIMS PROPRIETARY RIGHTS IN THE INFORMATION DISCLOSED HEREON. THIS DRAWING IS FURNISHED IN CONFIDENCE ON THE EXPRESS UNDERSTANDING THAT NEITHER IT NOR ANY REPRODUCTION THEREOF WILL BE DISCLOSED TO OTHERS OR USED FOR THE PURPOSE OF MANUFACTURE OR PROCUREMENT OF THE ARTICLE OR PART SHOWN HEREON.

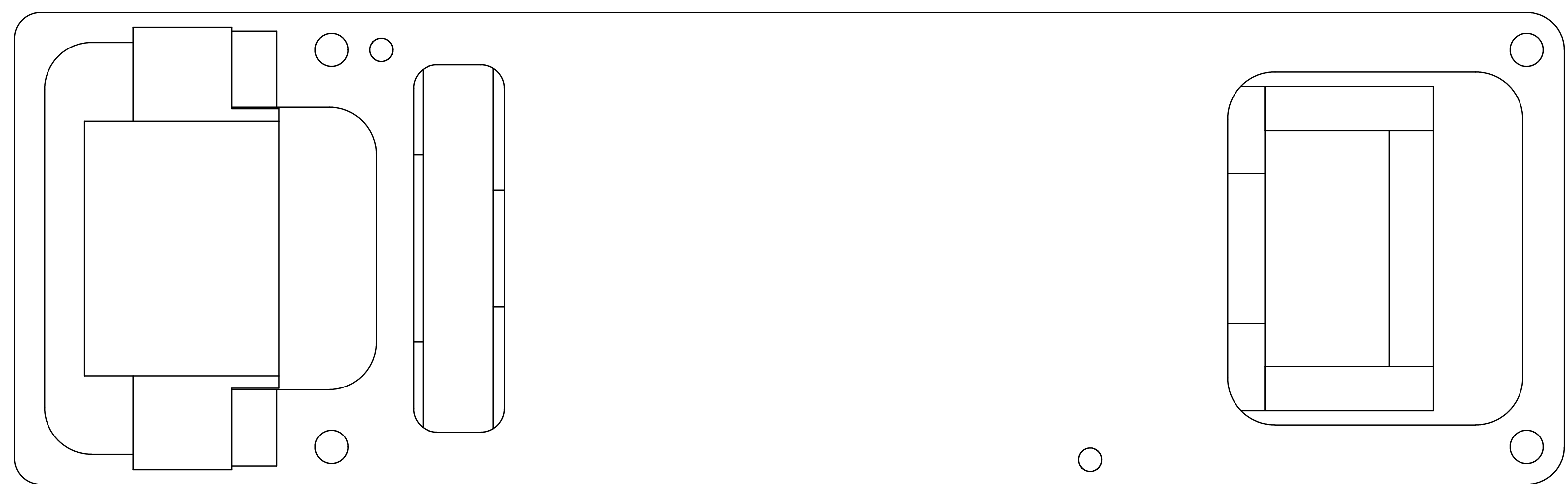
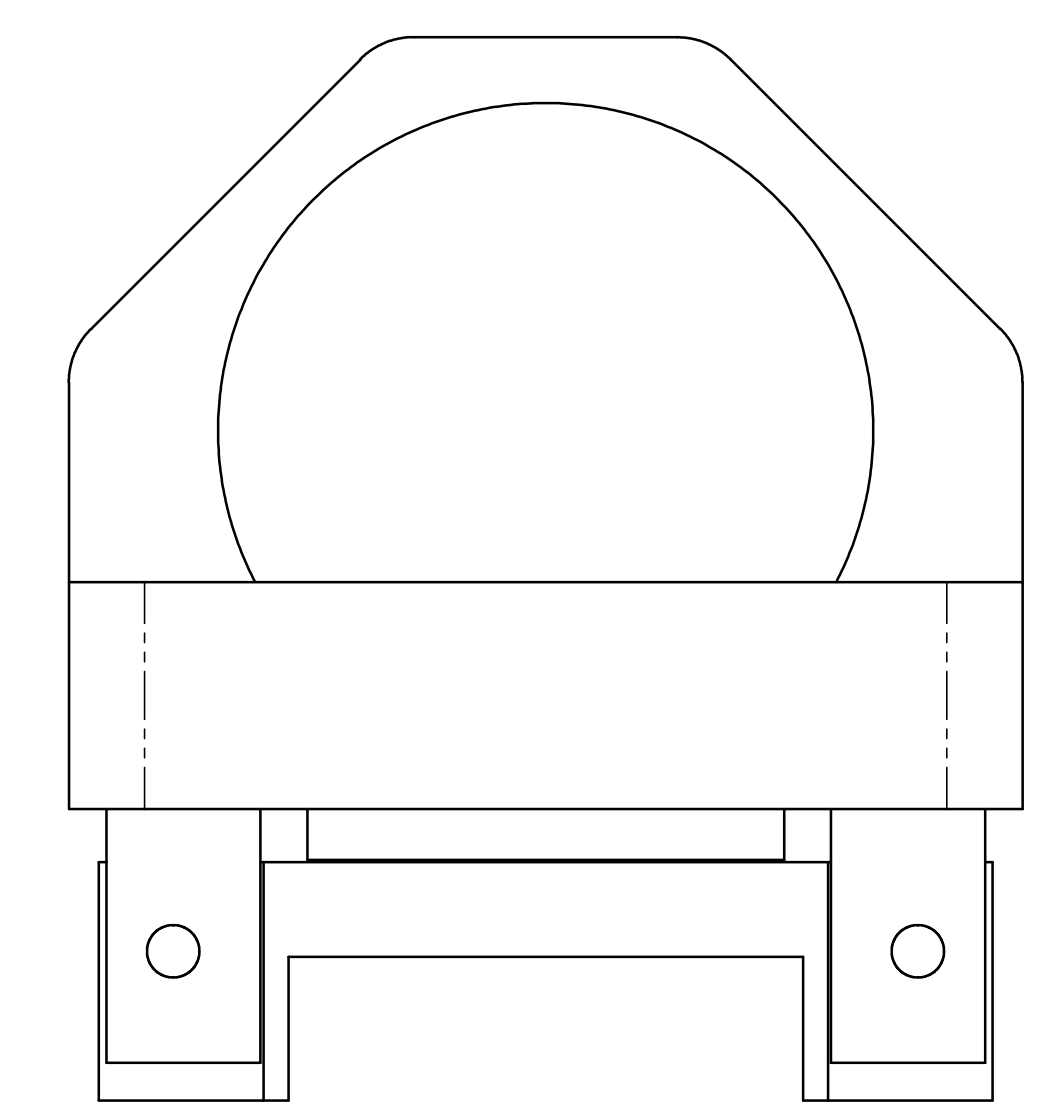
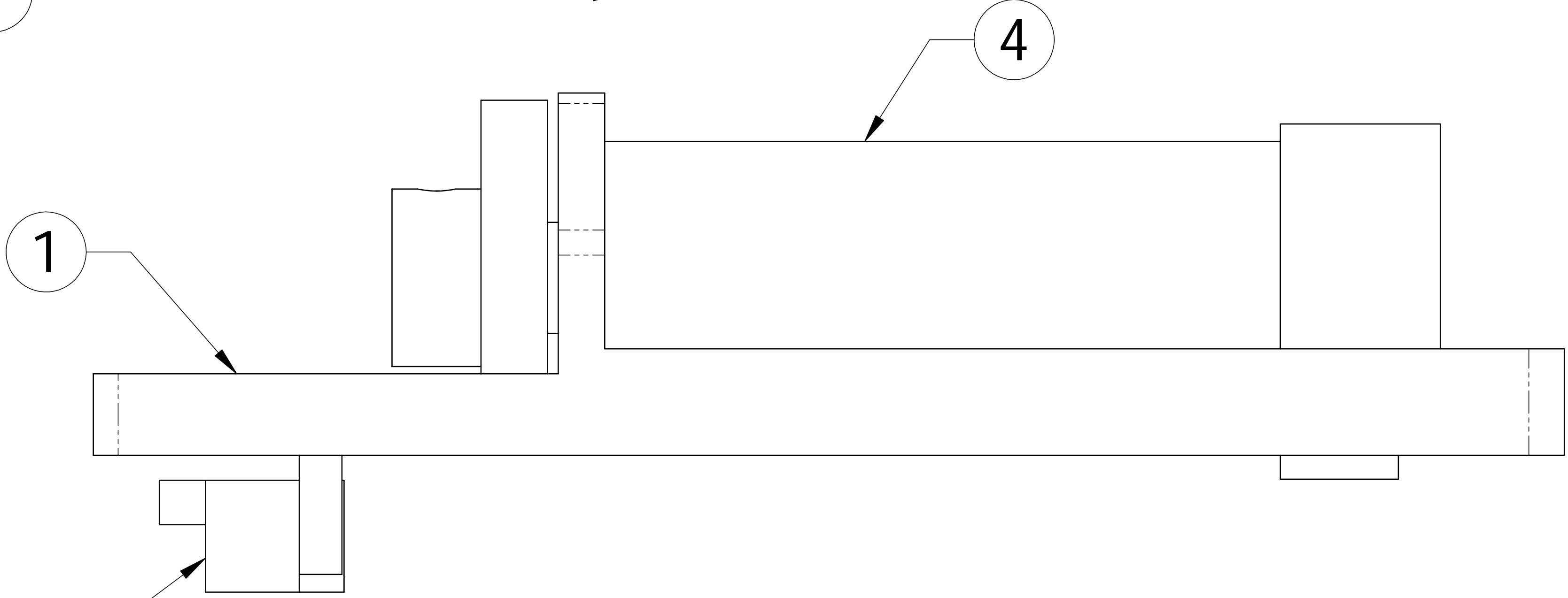
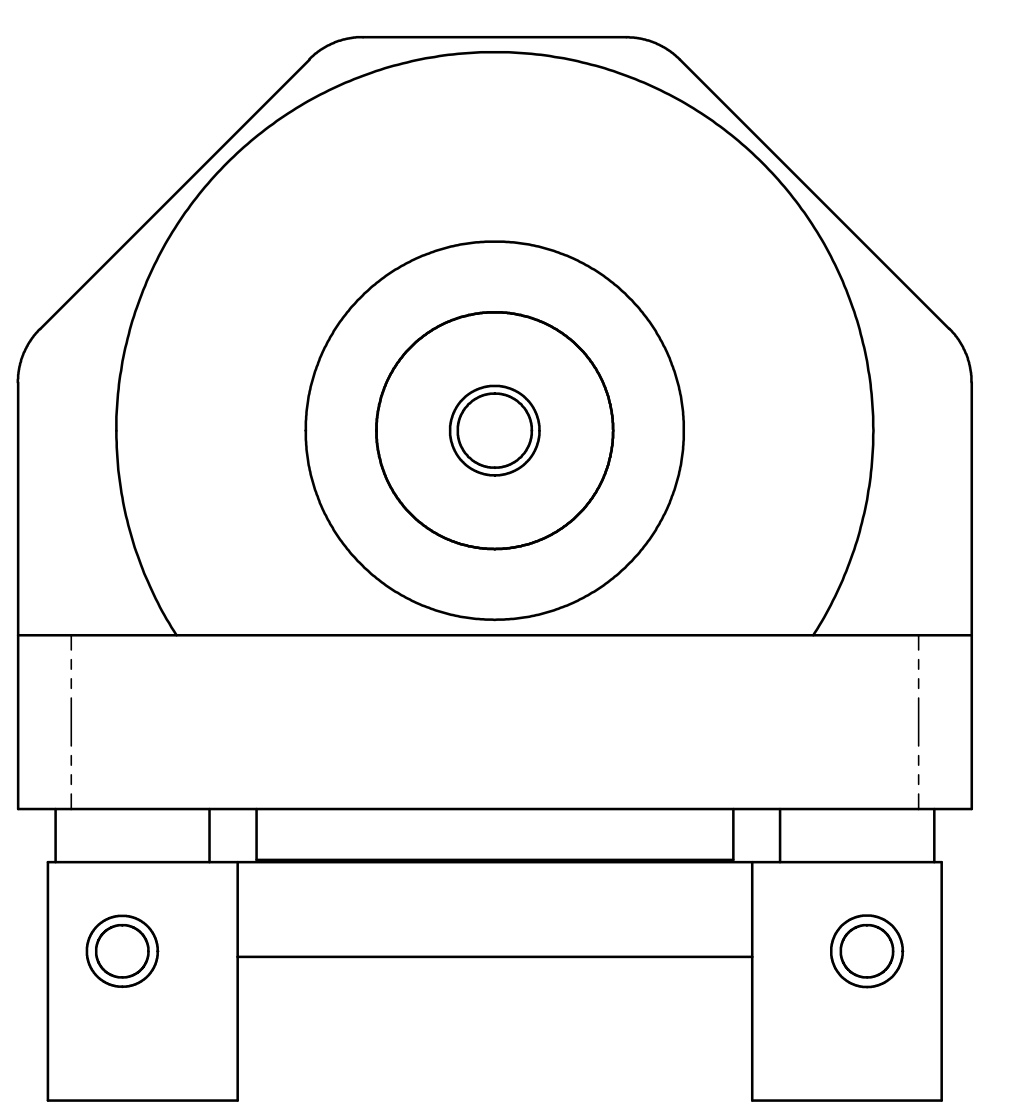
REV.	DESCRIPTION	DATE	APPROVED



SECTION B-B



SECTION A-A



ITEM	QTY.	PART NO.	REV	DESCRIPTION
1	1	B02T122220	B	Outer motor mount
2	1	B02T112040	-	Gear assy - motor
3	1	MD6043		
4	1	PittmanLOCOG6214		
5	2	92000A012		Metric pan head phillips M2 x 5mm

UNLESS OTHERWISE SPECIFIED DIMENSIONS ARE IN INCHES TOLERANCES ARE:		CAD GENERATED DRAWING. DO NOT MANUALLY UPDATE	
XX	= ± 0.015	APPROVALS	DATE
XXX	= ± 0.005	DRAWN	
X"	= ± 0.3"	CHECKED	
MATERIAL		RESP ENG	
FINISH		MFG ENG	
NEXT ASSY	USED ON	QUAL ENG	
APPLICATION	DO NOT SCALE DRAWING		

PARTS LIST			
Drive motors assy			
SIZE	DWG. NO.	REV.	
C	B02T122250	-	
SCALE	CAD FILE	SHEET	OF
2:1	B02T122250	1	1