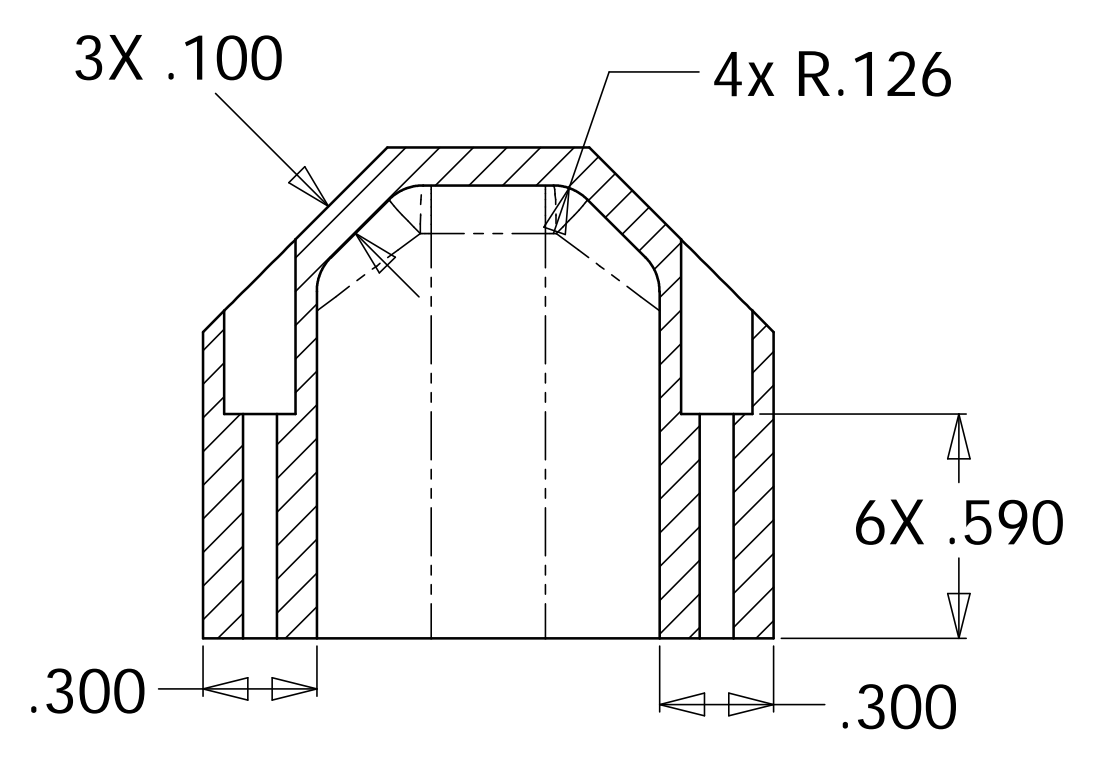
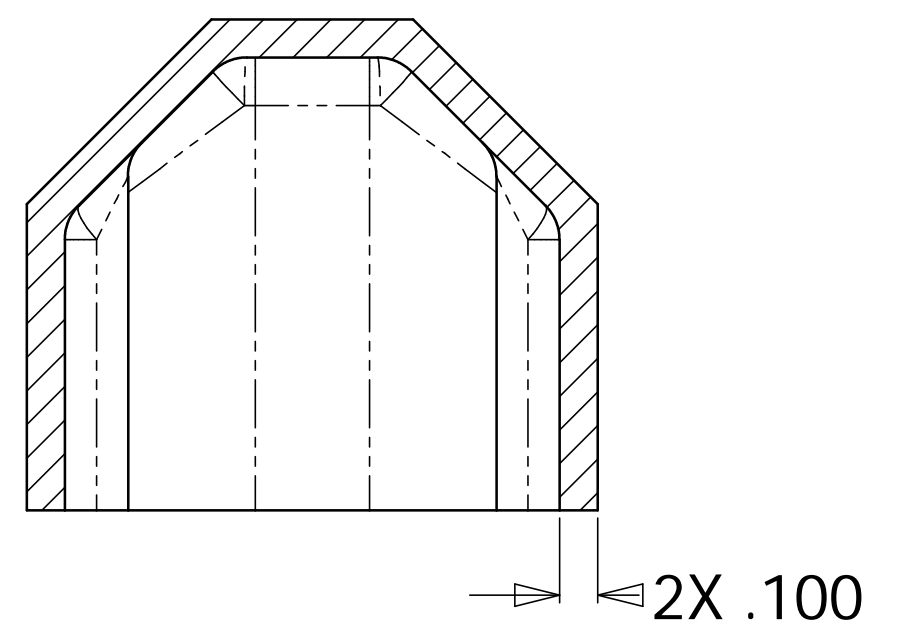


ENVISIONERING PRODUCT DEVELOPMENT CLAIMS PROPRIETARY RIGHTS IN THE INFORMATION DISCLOSED HEREON. THIS DRAWING IS FURNISHED IN CONFIDENCE ON THE EXPRESS UNDERSTANDING THAT NEITHER IT NOR ANY REPRODUCTION THEREOF WILL BE DISCLOSED TO OTHERS OR USED FOR THE PURPOSE OF MANUFACTURE OR PROCUREMENT OF THE ARTICLE OR PART SHOWN HEREON.

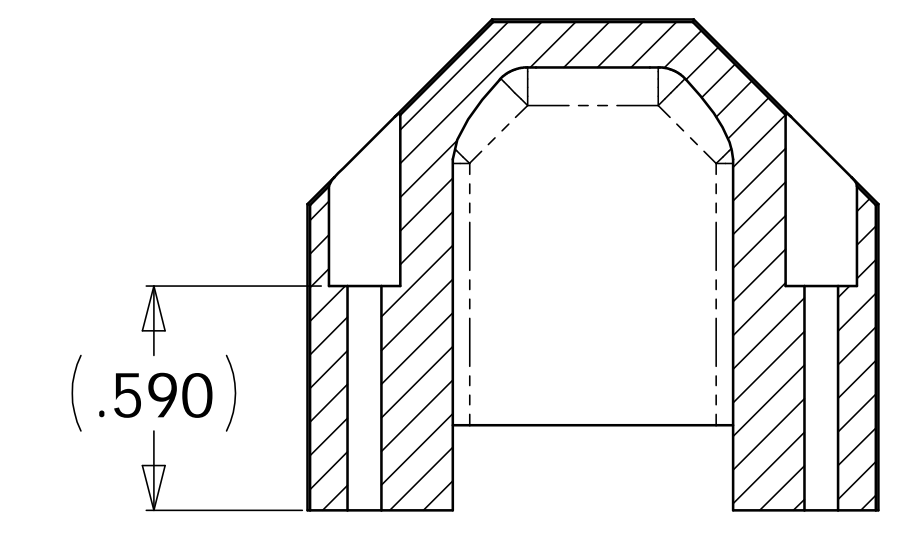
REV	DESCRIPTION	DATE	APPROVED



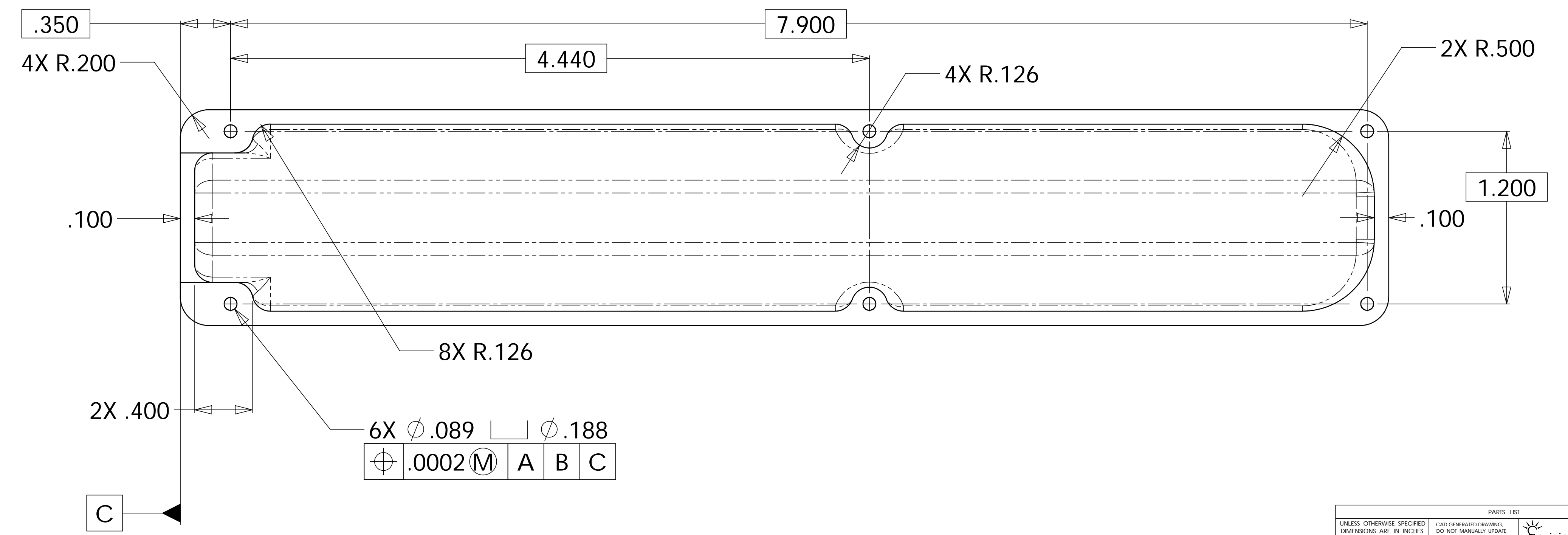
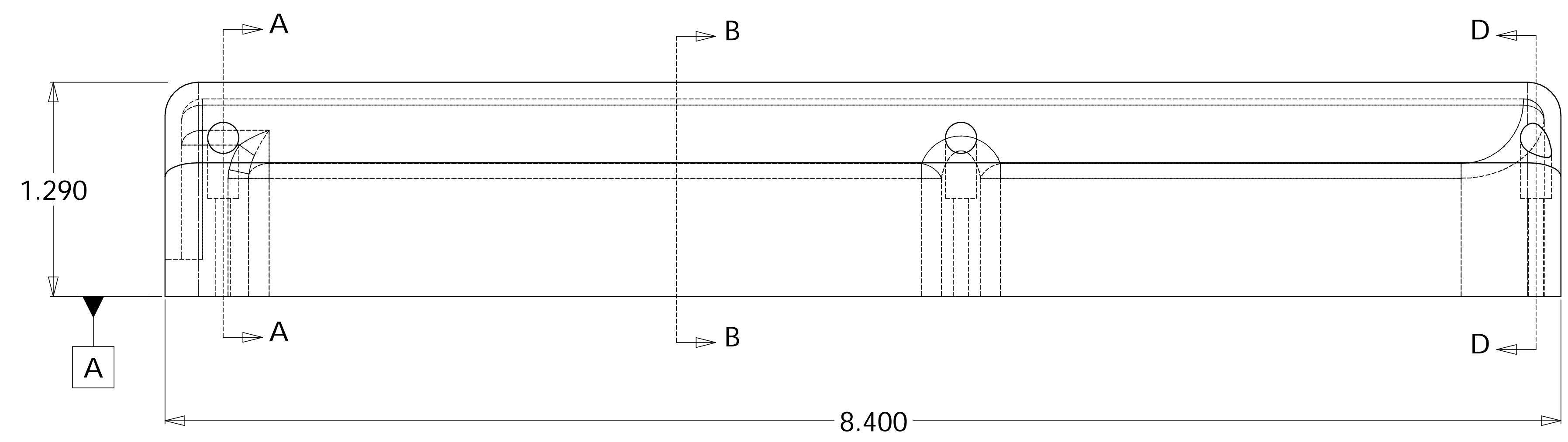
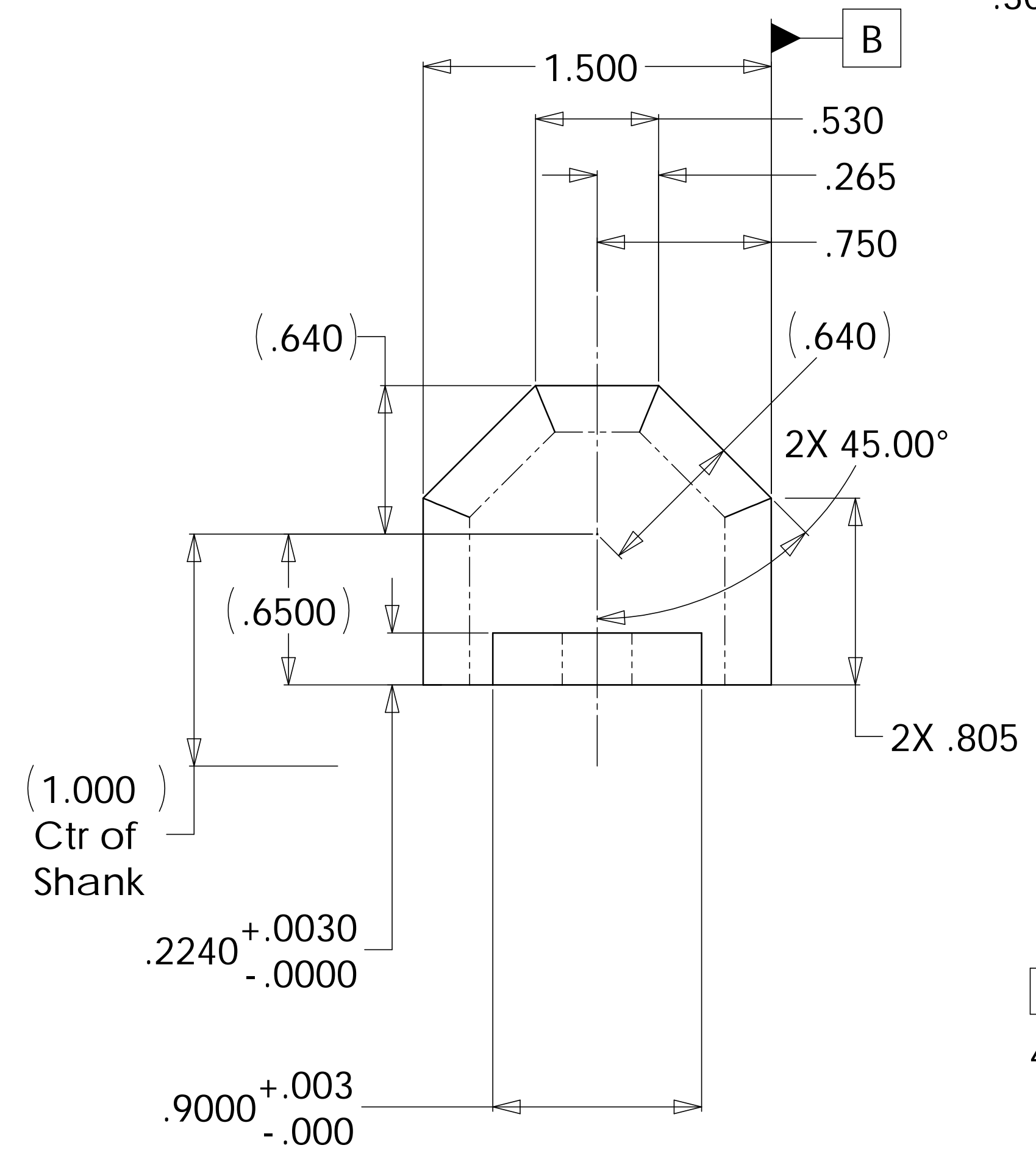
SECTION A-A
SCALE 2 : 1



SECTION B-B
SCALE 2 : 1



SECTION D-D
SCALE 2 : 1



PARTS LIST		APPROVALS		DATE	

UNLESS OTHERWISE SPECIFIED DIMENSIONS ARE IN INCHES. TOLERANCES ARE: .XX = ± 0.015, .XXX = ± 0.005, * = ± 0.3".

White Delrin

ENVISIONERING Product Development Corporation

Handle Cover

REV: A

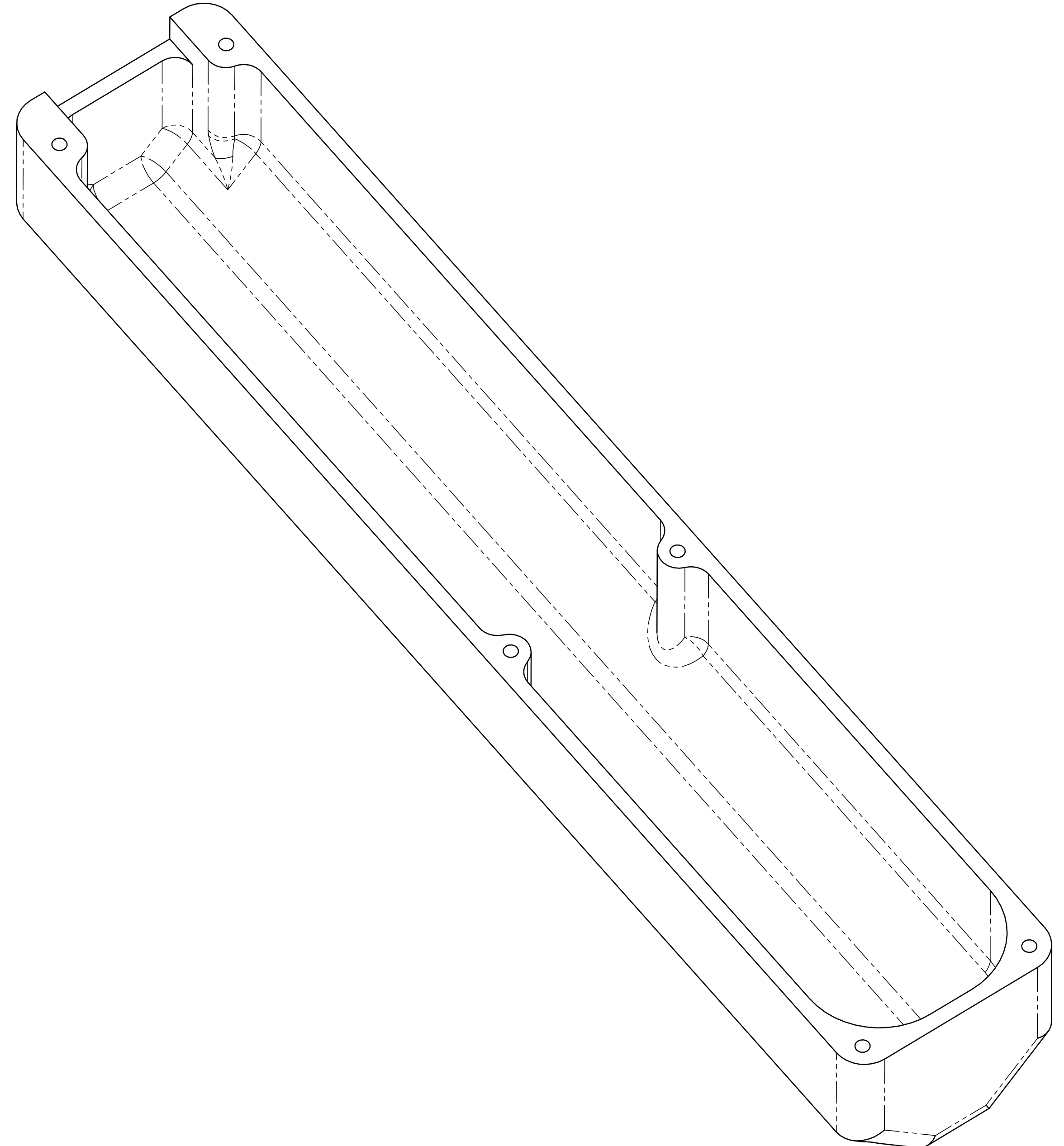
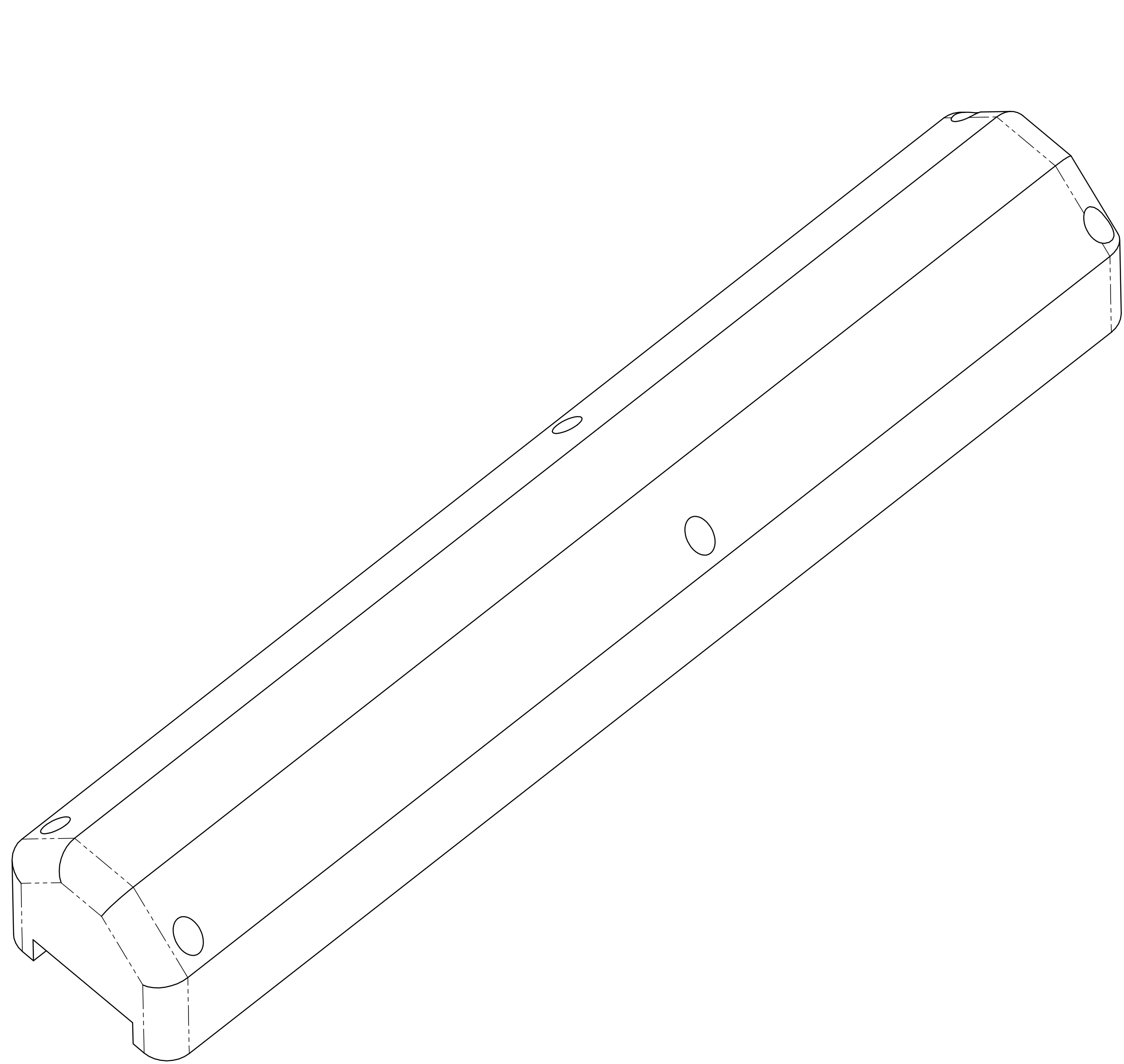
DWG NO: B02T122211

SCALE: 1:1

SHEET: 1 OF 2

ENVISIONERING PRODUCT DEVELOPMENT CLAIMS PROPRIETARY RIGHTS IN THE INFORMATION DISCLOSED HEREON. THIS DRAWING IS FURNISHED IN CONFIDENCE ON THE EXPRESS UNDERSTANDING THAT NEITHER IT NOR ANY REPRODUCTION THEREOF WILL BE DISCLOSED TO OTHERS OR USED FOR THE PURPOSE OF MANUFACTURE OR PROCUREMENT OF THE ARTICLE OR PART SHOWN HEREON.

REV		DESCRIPTION	DATE	APPROVED



UNLESS OTHERWISE SPECIFIED DIMENSIONS ARE IN INCHES TOLERANCES ARE:		PARTS LIST		
XX	± 0.015	CAD GENERATED DRAWING DO NOT MANUALLY UPDATE	APPROVALS	
XXX	± 0.005		DATE	
X"	± 0.3"			
MATERIAL White Delrin		CHECKED		Handle Cover
FINISH FRESH		RESP'NG		
NEXT ASSY	USED ON	TRG:ENG		REV: A
APPLICATION	DO NOT SCALE DRAWING	DATE:ENG		DWG NO: B02T122211
			SCALE: 2:1	CAD FILE: B02T122211
				SHEET: 2 OF 2