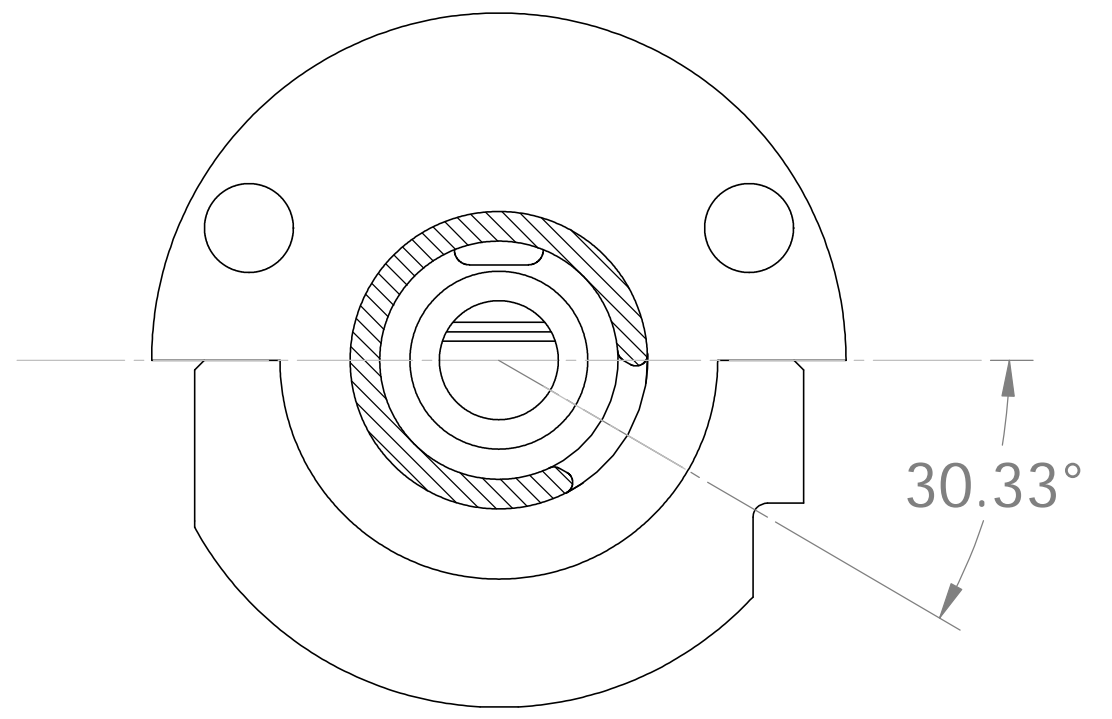
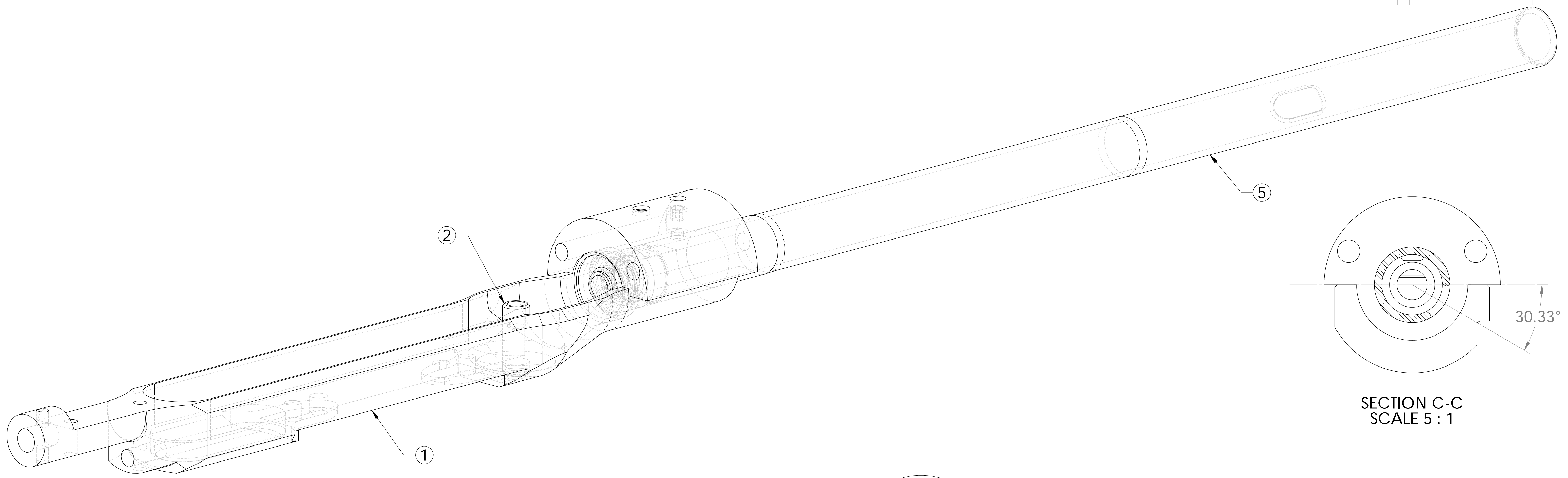
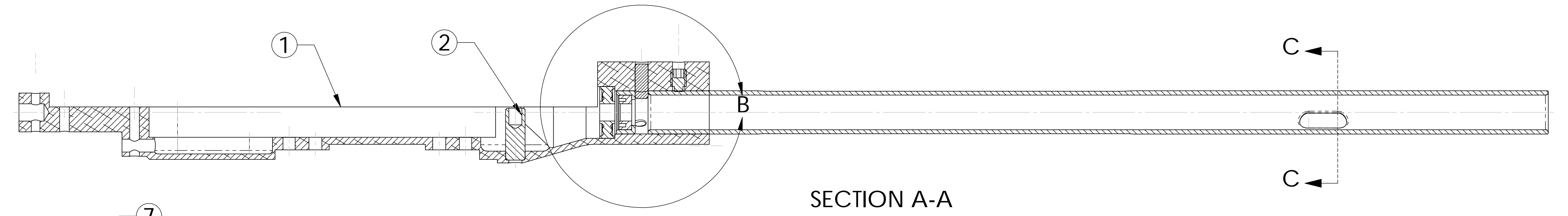


ENVISIONERING PRODUCT DEVELOPMENT CLAIMS PROPRIETARY RIGHTS IN THE INFORMATION DISCLOSED HEREON. THIS DRAWING IS FURNISHED IN CONFIDENCE ON THE EXPRESS UNDERSTANDING THAT NEITHER IT NOR ANY REPRODUCTION THEREOF WILL BE DISCLOSED TO OTHERS OR USED FOR THE PURPOSE OF MANUFACTURE OR PROCUREMENT OF THE ARTICLE OR PART SHOWN HEREON.

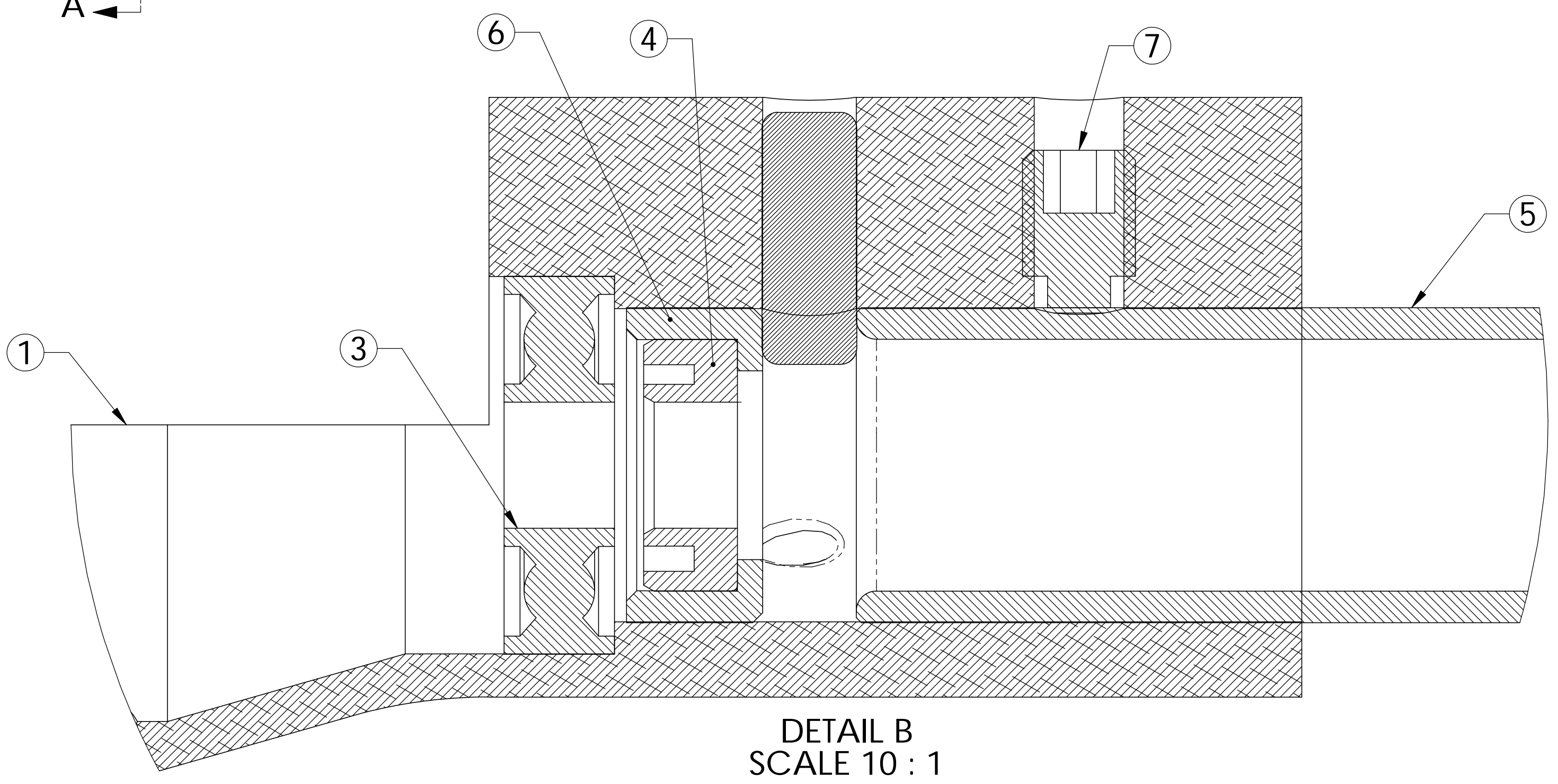
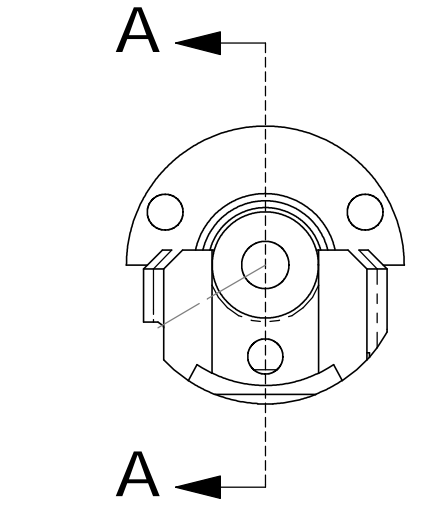
REV	DESCRIPTION	REVISIONS	DATE	APPROVED



SECTION C-C
SCALE 5 : 1



SECTION A-A



DETAIL B
SCALE 10 : 1

ITEM NO.	QTY.	PART NO.	REV	DESCRIPTION
1	1	B02T112121	F	Pulley Support
2	1	B02T112122	A	Lower Pulley Bearing
3	1	57155K29		
4	1	S67150-2657	-	Veriseal
5	1	B02T112159	-	Outer Drive Shaft
6	1	B02T112154	A	Inner Shaft Bearing Cup
7	1	DCSS87		Brass Tip Set Screw
8	1	98380A434		

UNLESS OTHERWISE SPECIFIED DIMENSIONS ARE IN INCHES. TOLERANCES ARE: .XX = ± 0.015, .XXX = ± 0.005, .X" = ± 0.3".

ENVISIONERING Product Development Corporation

Pulley Support Assy

REV B

B02T112125

1 OF 1