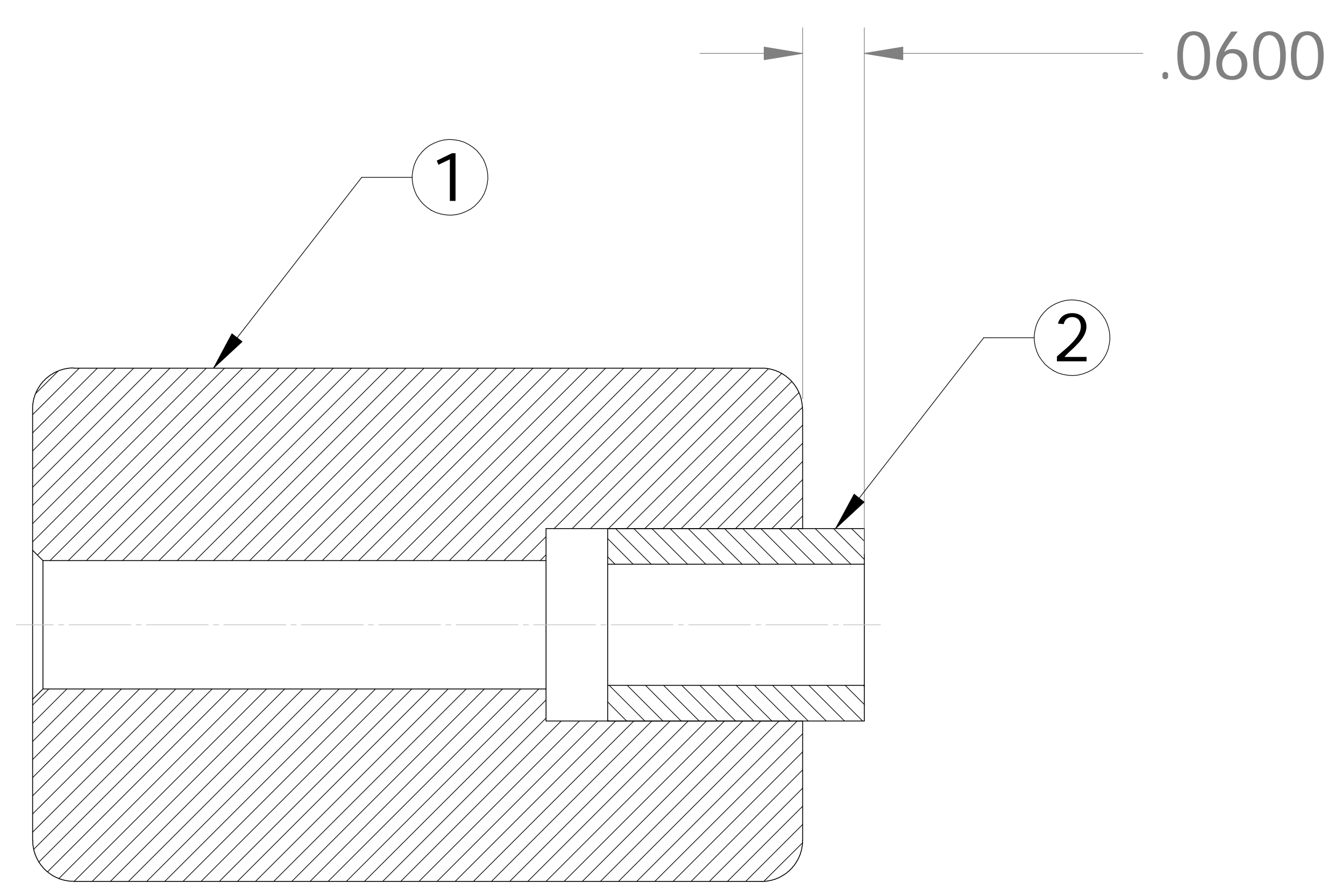
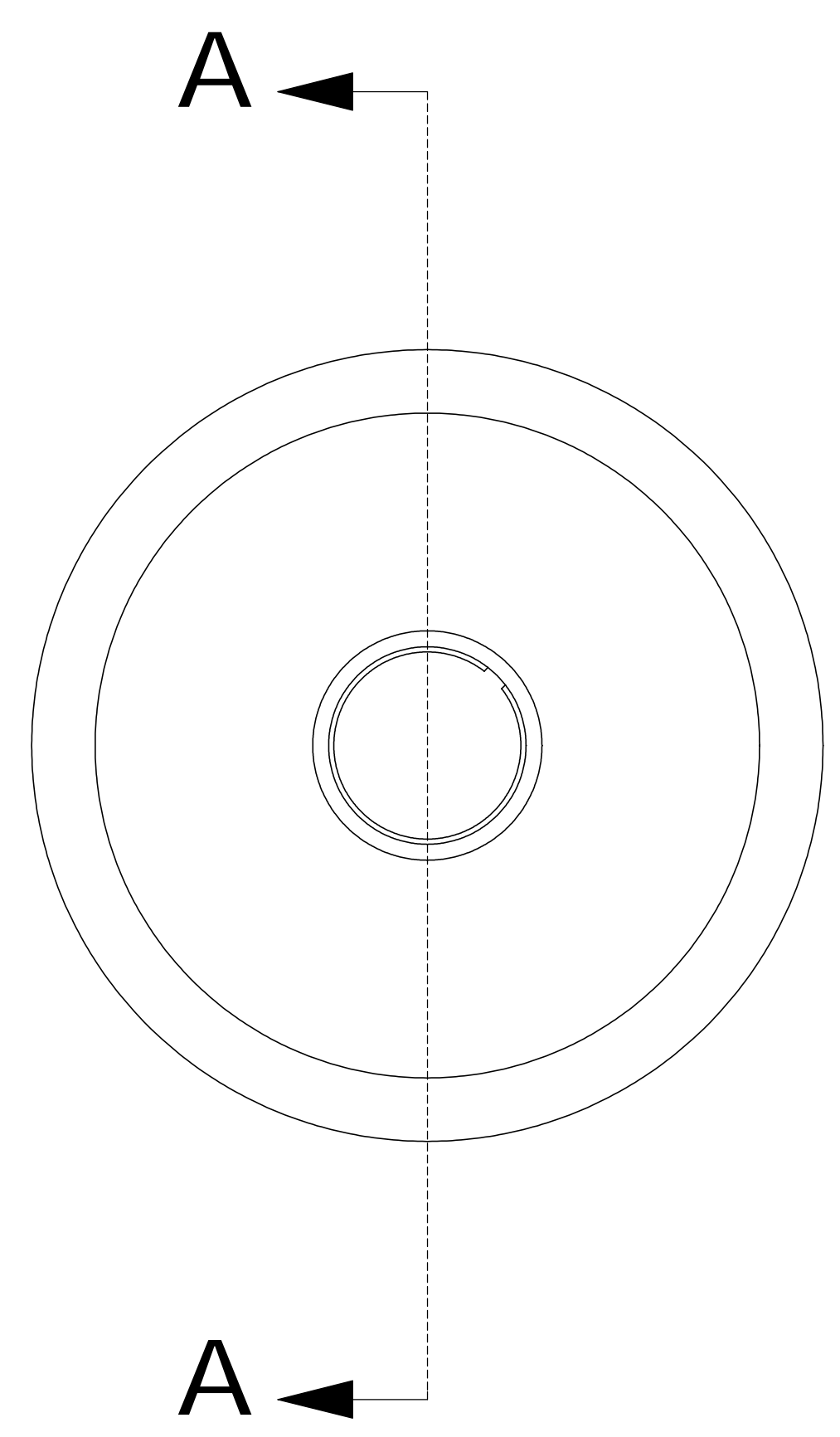
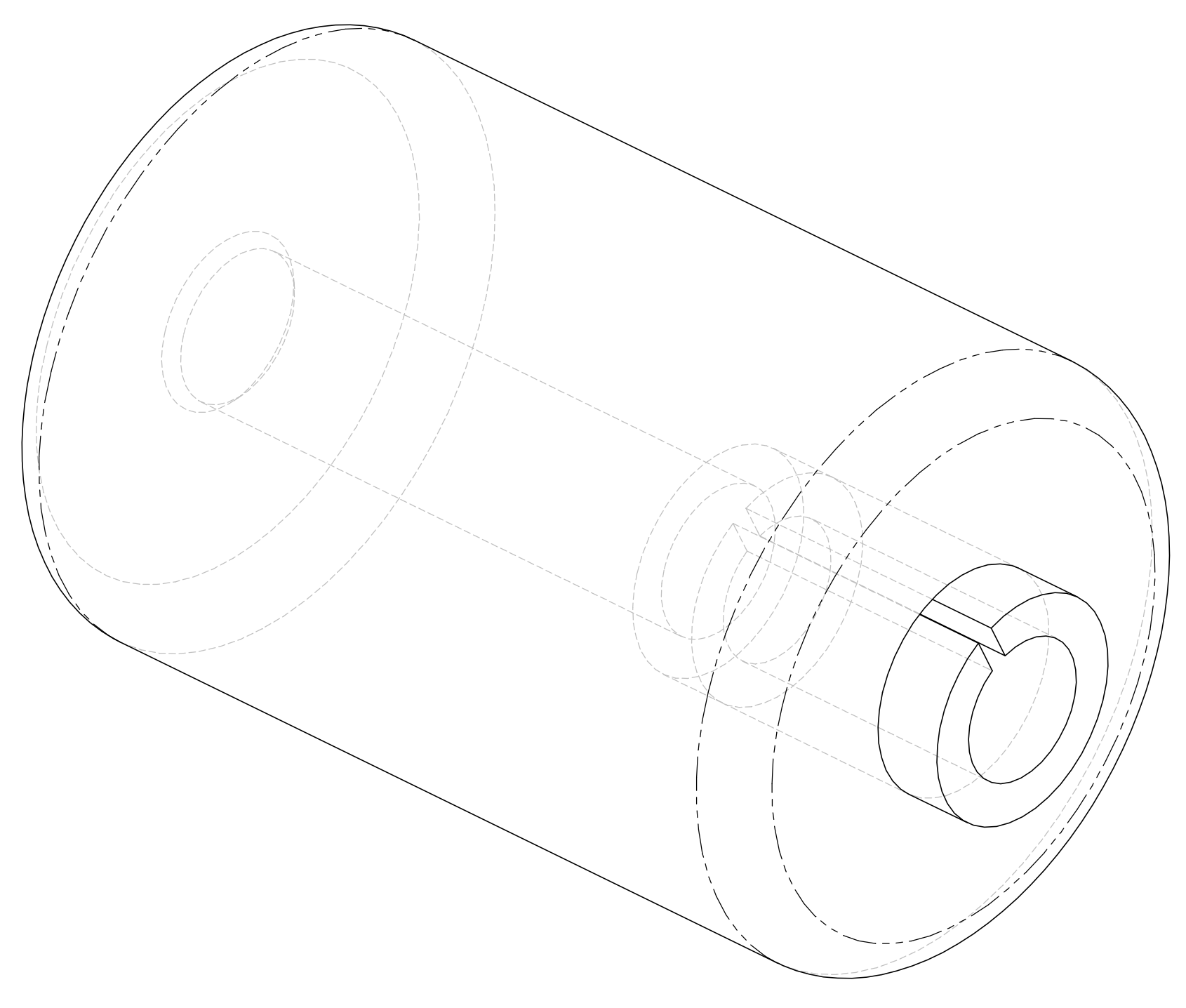


ENVISIONEERING PRODUCT DEVELOPMENT CLAIMS PROPRIETARY RIGHTS IN THE INFORMATION DISCLOSED HEREON. THIS DRAWING IS FURNISHED IN CONFIDENCE ON THE EXPRESS UNDERSTANDING THAT NEITHER IT NOR ANY REPRODUCTION THEREOF WILL BE DISCLOSED TO OTHERS OR USED FOR THE PURPOSE OF MANUFACTURE OR PROCUREMENT OF THE ARTICLE OR PART SHOWN HEREON.

REV.	DESCRIPTION	REVISIONS	DATE	APPROVED



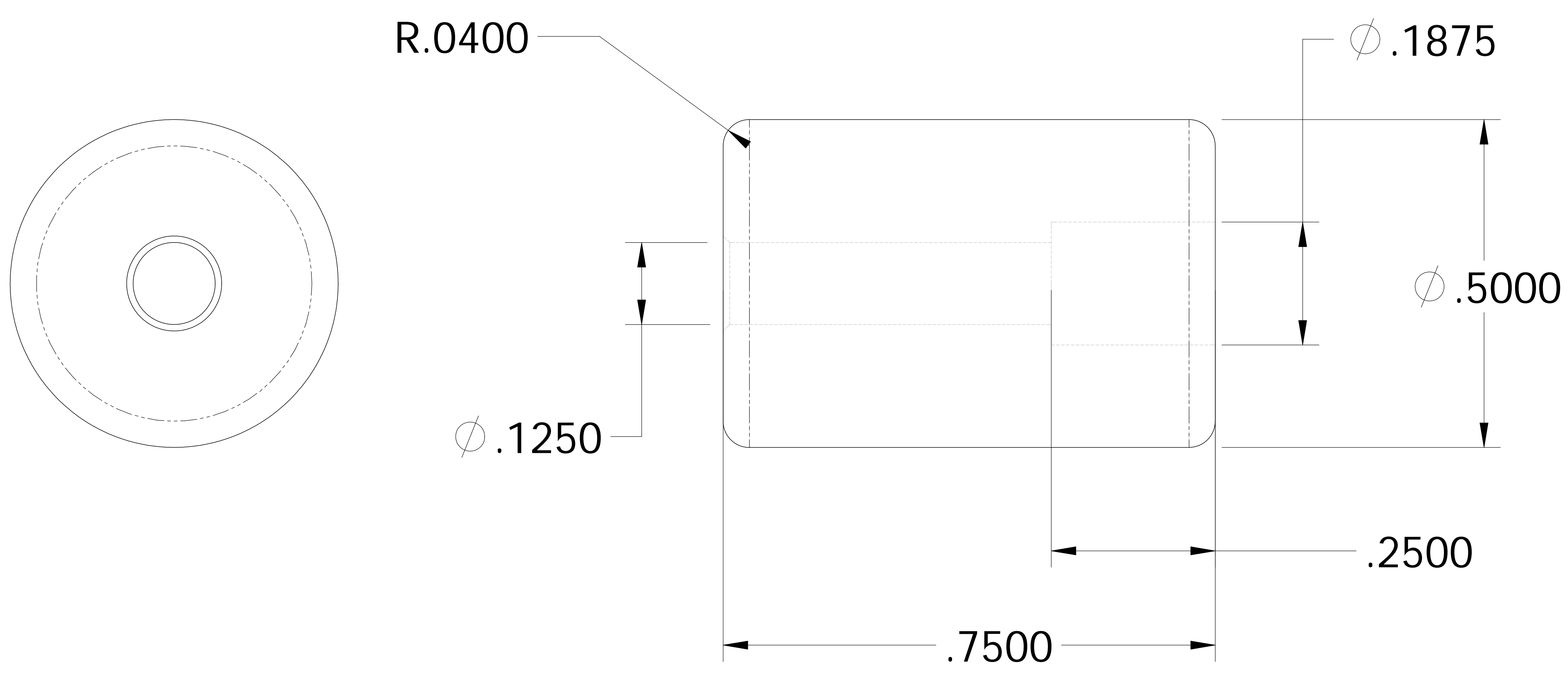
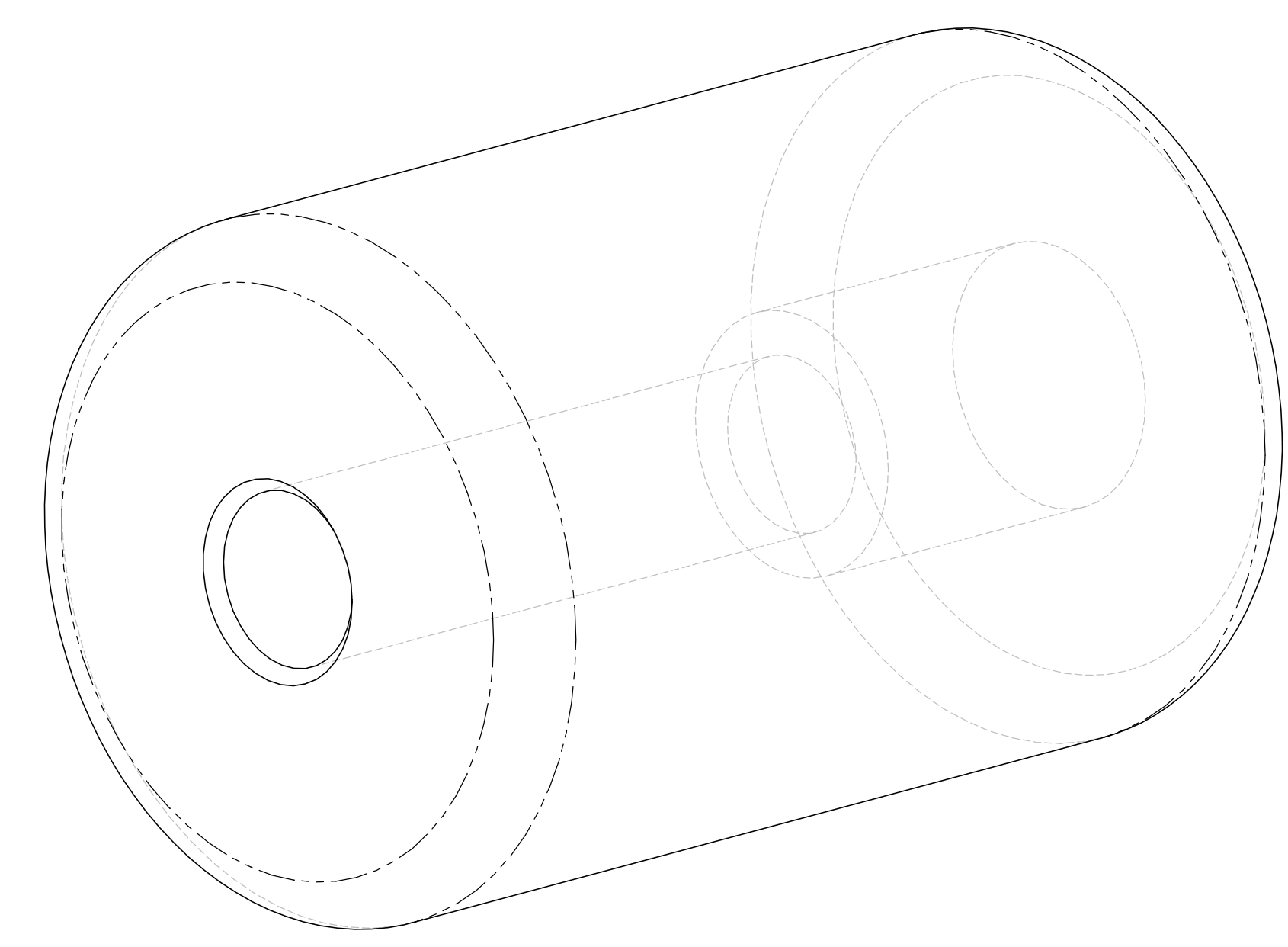
SECTION A-A

ITEM NO.	QTY.	PART NO.	DESCRIPTION
1	1	B02T112036	Helical Beam Shaft Coupler
2	1	B02T112038	Adapter Bushing

UNLESS OTHERWISE SPECIFIED DIMENSIONS ARE IN INCHES TOLERANCES ARE:		CAD GENERATED DRAWING. DO NOT MANUALLY UPDATE		PARTS LIST	
.XX	= ± 0.015	APPROVALS	DATE		
.XXX	= ± 0.005	DRAWN			
.X°	= ± 0.3°	CHECKED			
		RESP ENG			
MATERIAL		MFG ENG		Shaft Coupler Adapter	
FINISH		QUAL ENG			
NEXT ASSY	USED ON	DO NOT SCALE DRAWING		SIZE DWG. NO.	REV.
APPLICATION				C B02T112037	1
				SCALE 5:1	CAD FILE B02T112037
				SHEET 1 OF 1	

ENVISIONEERING PRODUCT DEVELOPMENT CLAIMS PROPRIETARY RIGHTS IN THE INFORMATION DISCLOSED HEREON. THIS DRAWING IS FURNISHED IN CONFIDENCE ON THE EXPRESS UNDERSTANDING THAT NEITHER IT NOR ANY REPRODUCTION THEREOF WILL BE DISCLOSED TO OTHERS OR USED FOR THE PURPOSE OF MANUFACTURE OR PROCUREMENT OF THE ARTICLE OR PART SHOWN HEREON.

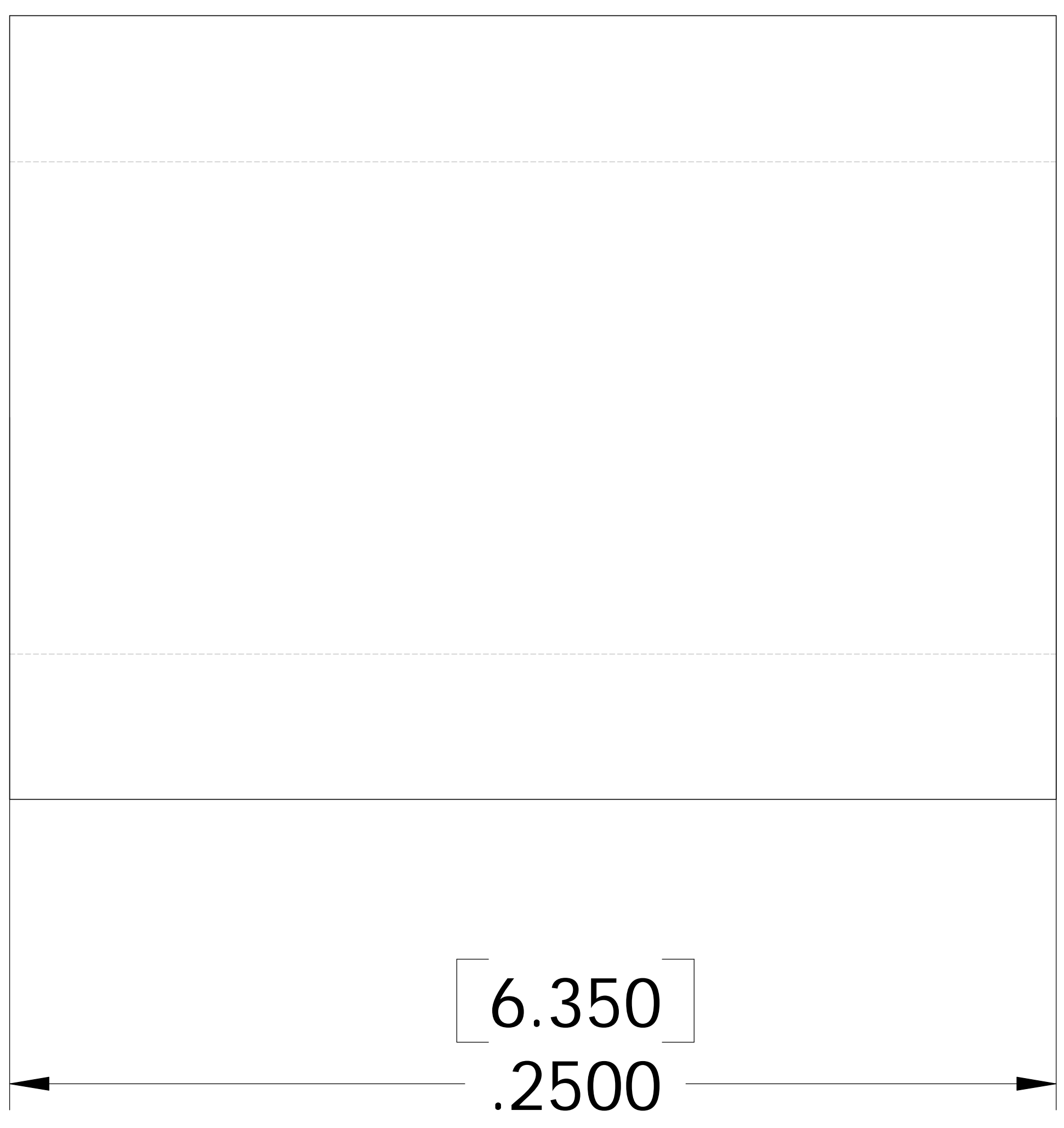
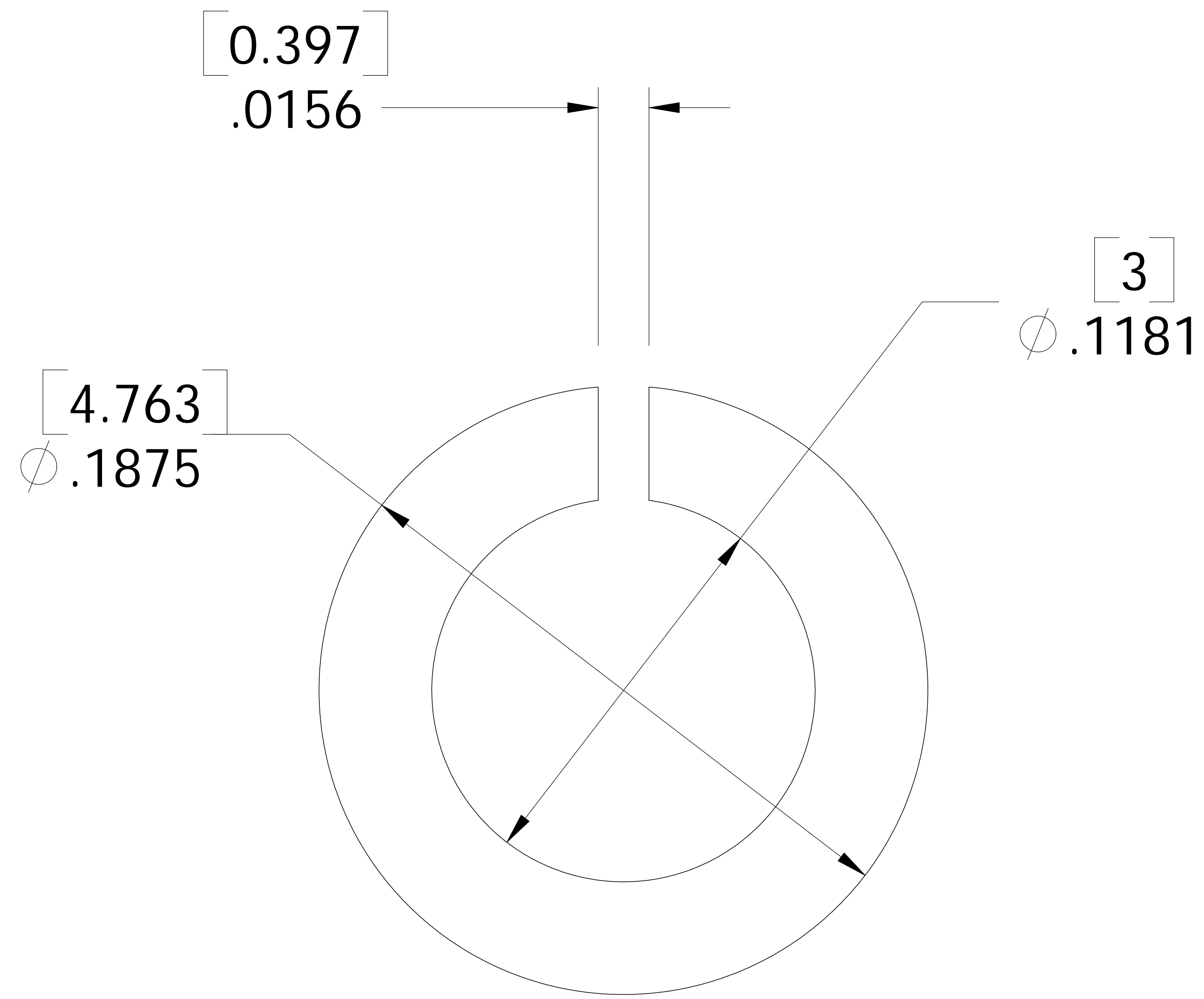
REV.	DESCRIPTION	REVISIONS	DATE	APPROVED



PARTS LIST		Product Development Corporation	
UNLESS OTHERWISE SPECIFIED DIMENSIONS ARE IN INCHES TOLERANCES ARE:		CAD GENERATED DRAWING. DO NOT MANUALLY UPDATE	
.XX	= ± 0.015	APPROVALS	DATE
.XXX	= ± 0.005	DRAWN	
.X°	= ± 0.3°	CHECKED	
MATERIAL	6208K51	RESP ENG	
FINISH		MFG ENG	
NEXT ASSY	USED ON	QUAL ENG	
APPLICATION	DO NOT SCALE DRAWING	Helical Beam Shaft Coupler	
SIZE	DWG. NO. B02T112036	SCALE	5:1
CAD FILE	B02T112036	REV.	-
SHEET 1 OF 1		1	

ENVISIONEERING PRODUCT DEVELOPMENT CLAIMS PROPRIETARY RIGHTS IN THE INFORMATION DISCLOSED HEREON. THIS DRAWING IS FURNISHED IN CONFIDENCE ON THE EXPRESS UNDERSTANDING THAT NEITHER IT NOR ANY REPRODUCTION THEREOF WILL BE DISCLOSED TO OTHERS OR USED FOR THE PURPOSE OF MANUFACTURE OR PROCUREMENT OF THE ARTICLE OR PART SHOWN HEREON.

REVISIONS		DATE	APPROVED
REV.	DESCRIPTION		



PARTS LIST		Product Development Corporation	
UNLESS OTHERWISE SPECIFIED DIMENSIONS ARE IN INCHES TOLERANCES ARE:		CAD GENERATED DRAWING. DO NOT MANUALLY UPDATE	
.XX	= ± 0.015	APPROVALS	DATE
.XXX	= ± 0.005	DRAWN	
.X°	= ± 0.3°	CHECKED	
MATERIAL	SS	RESP ENG	
FINISH		MFG ENG	
NEXT ASSY	USED ON	QUAL ENG	
APPLICATION	DO NOT SCALE DRAWING		
		<h3>Adapter Bushing</h3>	
SIZE	DWG. NO.	REV.	
C	B02T112038	-	
SCALE	CAD FILE	SHEET	OF
20:1	B02T112038	1	1