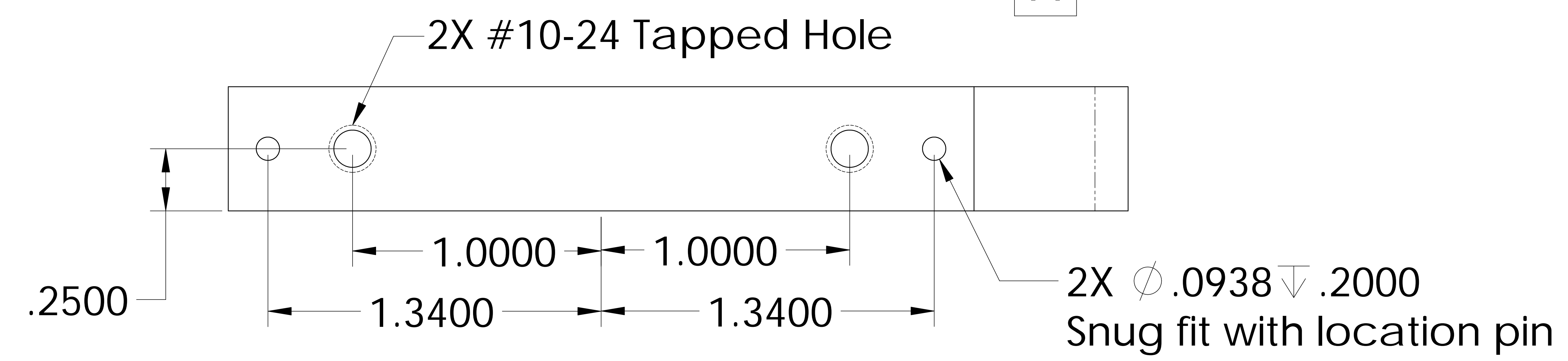
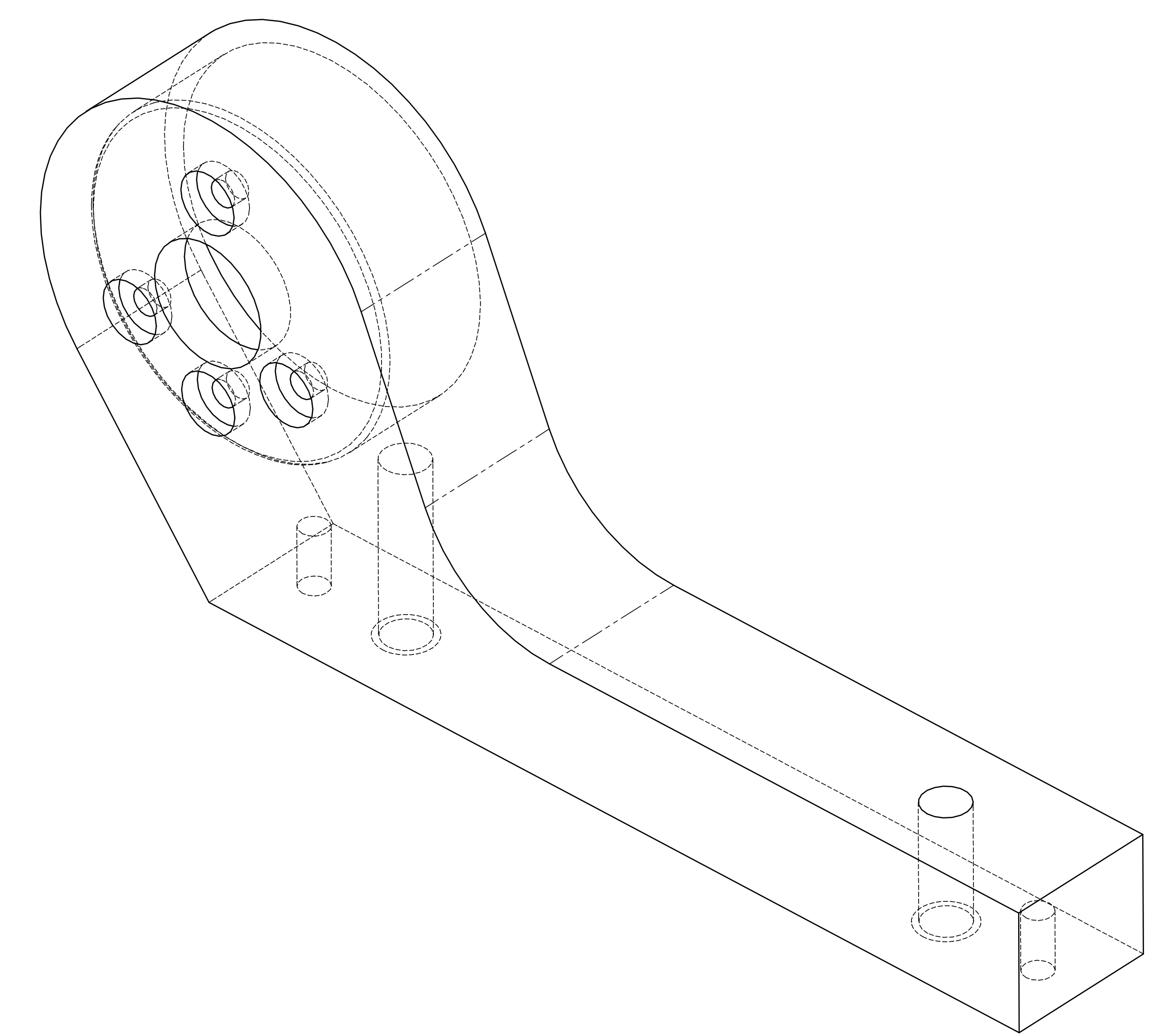
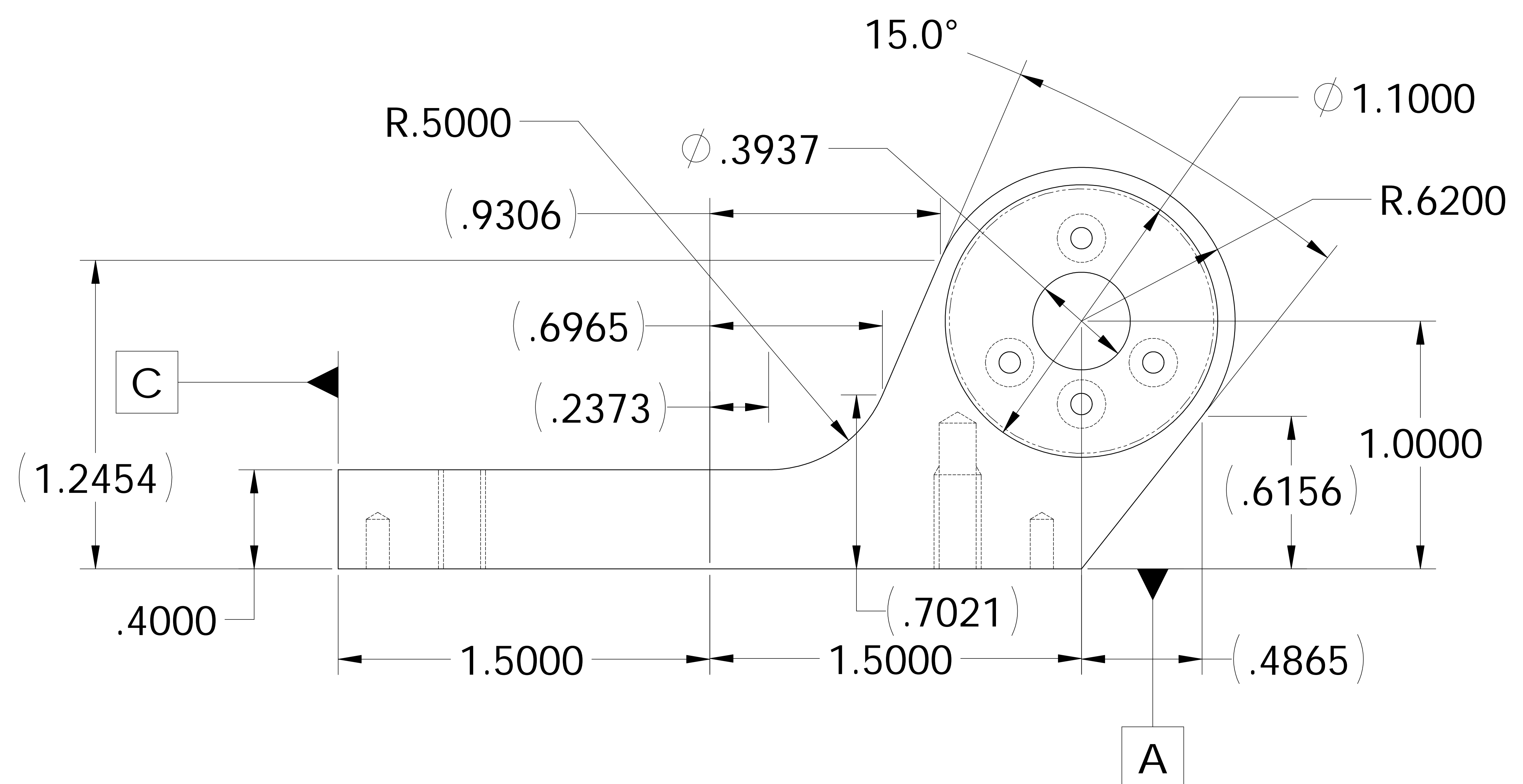
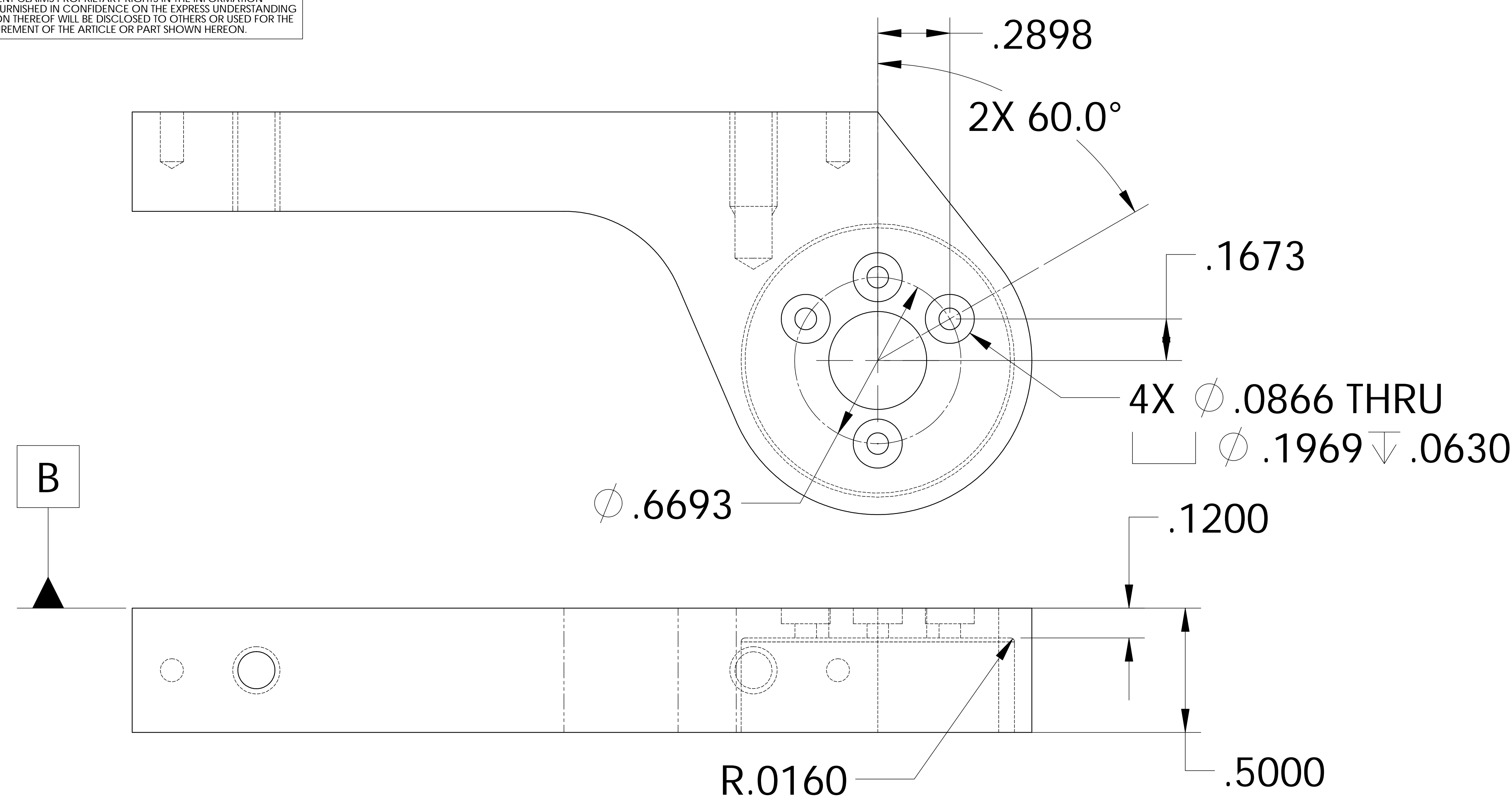


ENVISIONEERING PRODUCT DEVELOPMENT CLAIMS PROPRIETARY RIGHTS IN THE INFORMATION DISCLOSED HEREON. THIS DRAWING IS FURNISHED IN CONFIDENCE ON THE EXPRESS UNDERSTANDING THAT NEITHER IT NOR ANY REPRODUCTION THEREOF WILL BE DISCLOSED TO OTHERS OR USED FOR THE PURPOSE OF MANUFACTURE OR PROCUREMENT OF THE ARTICLE OR PART SHOWN HEREON.

REVISIONS			
REV.	DESCRIPTION	DATE	APPROVED



PARTS LIST		Product Development Corporation	
UNLESS OTHERWISE SPECIFIED DIMENSIONS ARE IN INCHES TOLERANCES ARE:		CAD GENERATED DRAWING. DO NOT MANUALLY UPDATE	
.XX = ± 0.015	.XXX = ± 0.005	APPROVALS	DATE
.X° = ± 0.3°		DRAWN	
MATERIAL	AI	CHECKED	
FINISH		RESP ENG	
		MFG ENG	
		QUAL ENG	
NEXT ASSY	USED ON	Motor mount - Rotary	
APPLICATION	DO NOT SCALE DRAWING	SCALE	2:1
		DWG. NO.	B02T112026
		CAD FILE	B02T112026
		REV.	1
		SHEET	1 OF 1