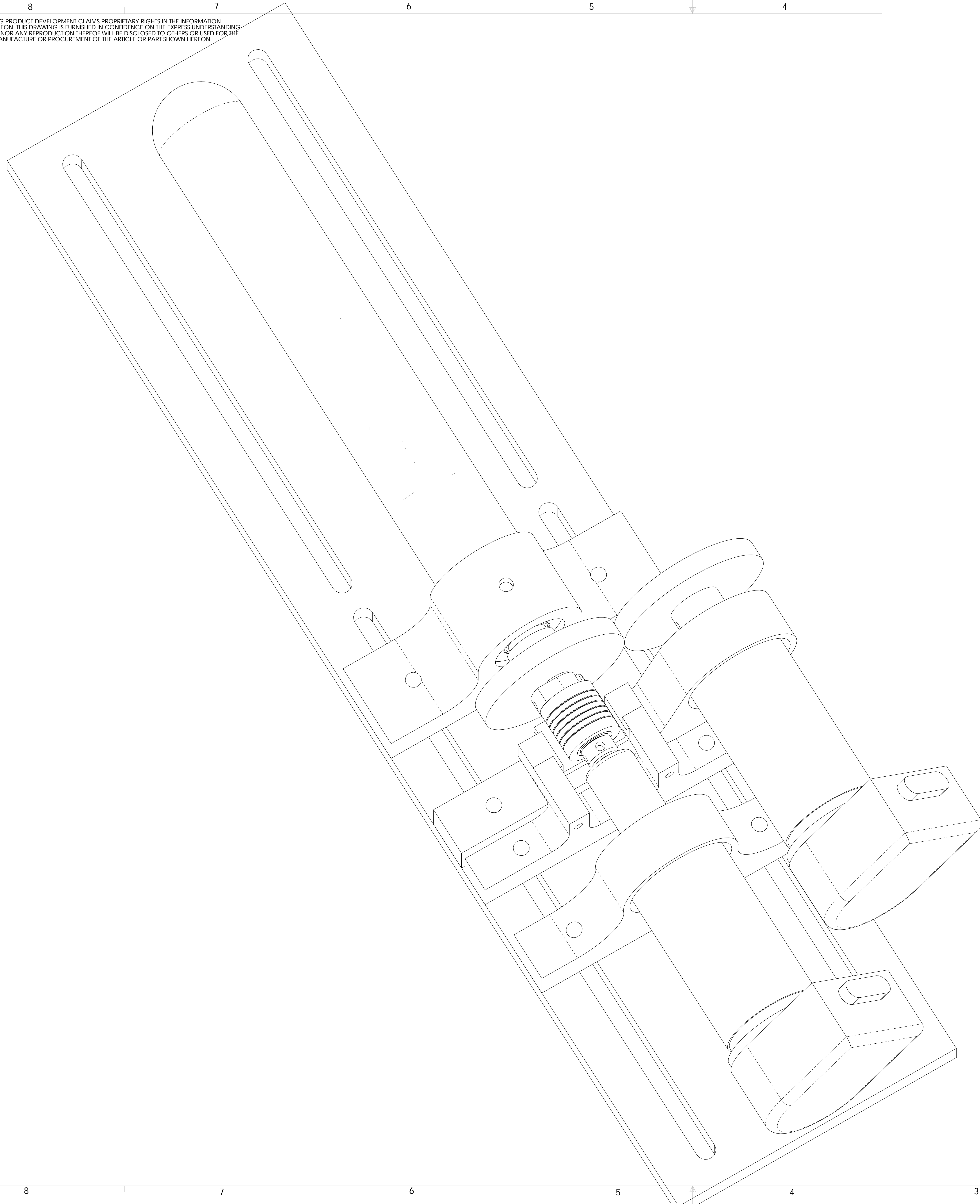


ENVISIONEERING PRODUCT DEVELOPMENT CLAIMS PROPRIETARY RIGHTS IN THE INFORMATION DISCLOSED HEREON. THIS DRAWING IS FURNISHED IN CONFIDENCE ON THE EXPRESS UNDERSTANDING THAT NEITHER IT NOR ANY REPRODUCTION THEREOF WILL BE DISCLOSED TO OTHERS OR USED FOR THE PURPOSE OF MANUFACTURE OR PROCUREMENT OF THE ARTICLE OR PART SHOWN HEREON.



ITEM NO.	QTY.	PART NO.	DESCRIPTION
1	1	B02T112021	Base Plate - bench test
2	1	B02T112025	Probe test mount
3	1	B02T112050	Test Probe Assy
	1	B02T112100	Transducer Carrier Assy
	1	B02T112120	Pulley Drive Support Assy
	1	B02T112125	Pulley Support Assy
	1	B02T112121	Pulley Support
	1	B02T112122	Lower Pulley Bearing
	1	DCSSS87	Brass Tip Set Screw
	1	B02T112130	Bevel Gear Pinion Assy
	1	B02T112131	Bevel Gear Cut
	1	B02T112132	Timing Pulley
	1	DB3D49	Precision Shim Spacer
	1	B02T112161	Upper Pulley Tension Block
	1	B02T112124	Timing Pulley
	1	B02T112170assy	Timing Belt
	1	B02T112172	Timing Belt - 10 groove pulley
	1	B02T112171	Drive Pin - Timing Belt
	1	B02T112123	Inner Track Plate Assy
	1	B02T112127	Inner Track Plate
	2	D43D250	Dowel Pin - Interference Fit
	2	DY12DP	Button Head Screw
	1	DY5DV	Socket Head Cap Screw
	1	B02T112150	Large Drive Shaft Assy
	1	B02T112155	Support Boss - Drive Shaft Assy
	1	B02T112151	Support Boss
	1	S67150-2657	Veriseal
	1	B02T112154	Inner Shaft Bearing Cup
	2	S9912Y-UBM-1	Ball Bearing
	1	B02T112156	Step Spacer
	1	B02T112140	Inner Drive Shaft Assy
	1	B02T112141	Bevel Gear Faced Off
	1	B02T112142	Small Drive Shaft
	1	DC11B	Set Screw Collar
	1	B02T112157	Precision Shim Spacer
	1	B02T112110	Transducer Glide Assy
	1	B02T112112	Transducer
	1	B02T112111	TRX Carrier
	2	B02T112153	Small Shaft
	2	DY5ER	Socket Head Cap Screw
	1	B02T112181	Fwd Top Balancer
	1	B02T112182	Aft Lower Balancer
	2	DCSSS87	Brass Tip Set Screw
	1	B02T112200	Lower Shaft Body Assy
	1	B02T112210	Aft Lower Body
	2	S9912Y-71237PS0	Ball Bearing
	1	B02T112211	Outer Shaft Bearing Cup
	1	S67150-2656	Veriseal
	1	2-018	O-Ring
	1	DCSSS87	Brass Tip Set Screw
	1	B02T112080	Probe Cover Assy
	1	B02T112085	Tip Cover
	1	B02T112081	Top Window Sleeve
	1	B02T112087	Lower Sleeve - Short
	1	B02T112086	Tip Shoulder Screw
	1	B02T112089	Tip screw
4	1	B02T112031	Acetal Spur Gear
5	1	B02T112028	Rotary axis motor drive assy
	1	B02T112026	Motor mount - Rotary
	1	B02T112045	
	1	RE025-055-34EBA201A	
	1	HEDS-5540_A02	
	1	B02T112040	Gear assy - motor
	1	B02T112031	Acetal Spur Gear
	1	B02T112039	Bushing
6	1	B02T112035	Rotary axis motor drive assy
	1	B02T112034	Motor mount - inline
	1	B02T112045	
	1	RE025-055-34EBA201A	
	1	HEDS-5540_A02	
7	1	B02T112037	Shaft Coupler Adapter
	1	B02T112036	Helical Beam Shaft Coupler
	1	B02T112038	Adapter Bushing
8	1	B02T112042	Coupler spindle assy
	1	MD6038	
	1	B02T112041	Coupler spindle mount
9	1	B02T112044	
	1	MD6043	
	1	B02T112043	Coupler spindle mount
10	1	B02T112046	Spacer

UNLESS OTHERWISE SPECIFIED DIMENSIONS ARE IN INCHES TOLERANCES ARE:
 .XX = ± 0.015
 .XXX = ± 0.005
 .X° = ± 0.3°

CAD GENERATED DRAWING. DO NOT MANUALLY UPDATE

Product Development Corporation
 Envisioneering

APPROVALS	DATE
DRAWN	
CHECKED	
RESP ENG	
MFG ENG	
QUAL ENG	

MATERIAL _____
 FINISH _____
 NEXT ASSY _____ USED ON _____
 APPLICATION _____ DO NOT SCALE DRAWING

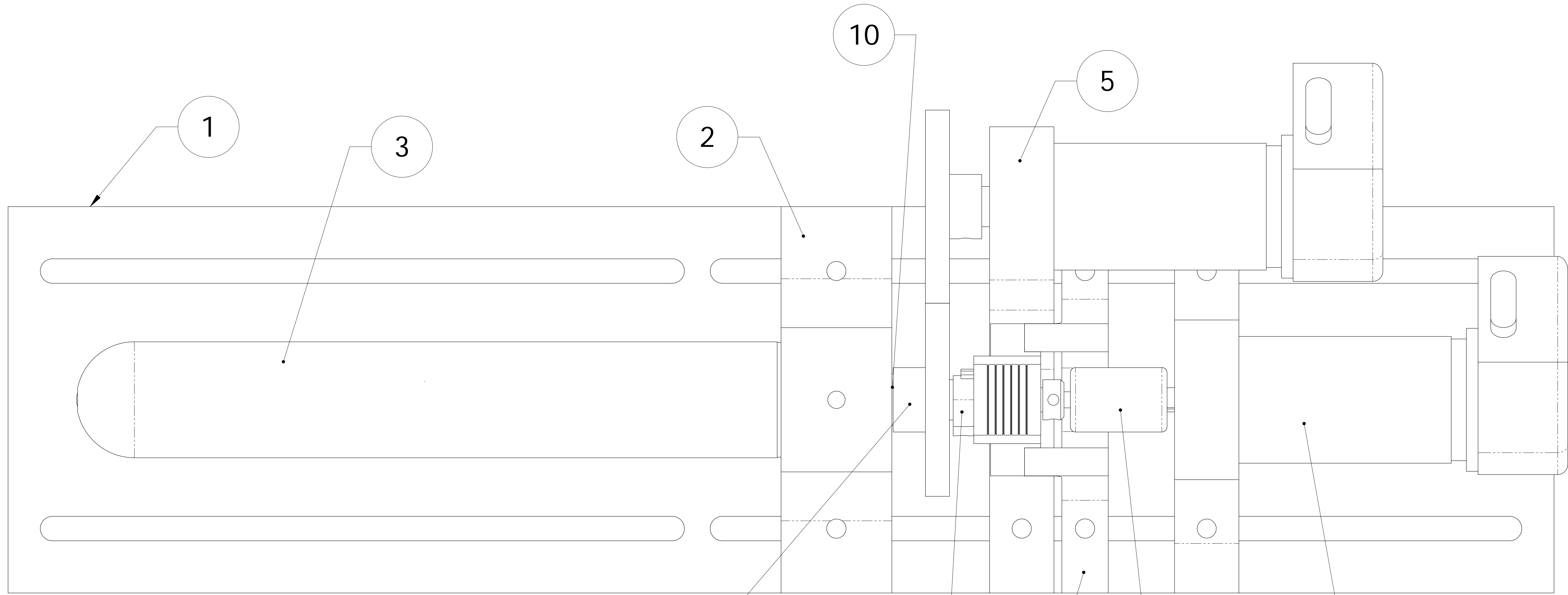
SCALE 3:2 DWG. NO. B02T112004 SHEET 1 OF 1
 CAD FILE B02T112004

PolySci signal connector

ENVISIONEERING PRODUCT DEVELOPMENT CLAIMS PROPRIETARY RIGHTS IN THE INFORMATION DISCLOSED HEREON. THIS DRAWING IS FURNISHED IN CONFIDENCE ON THE EXPRESS UNDERSTANDING THAT NEITHER IT NOR ANY REPRODUCTION THEREOF WILL BE DISCLOSED TO OTHERS OR USED FOR THE PURPOSE OF MANUFACTURE OR PROCUREMENT OF THE ARTICLE OR PART SHOWN HEREON.

REV.	DESCRIPTION	REVISIONS	DATE	APPROVED

ITEM NO.	QTY.	PART NO.	DESCRIPTION
1	1	B02T112021	Base Plate - bench test
2	1	B02T112025	Probe test mount
3	1	B02T112050	Test Probe Assy
4	1	B02T112031	Acetal Spur Gear
5	1	B02T112028	Rotary axis motor drive assy
6	1	B02T112035	Rotary axis motor drive assy
7	1	B02T112037	Shaft Coupler Adapter
8	1	B02T112042	Coupler spindle assy
9	1	B02T112044	PolySci slide finger assy
10	1	B02T112046	Spacer



UNLESS OTHERWISE SPECIFIED DIMENSIONS ARE IN INCHES TOLERANCES ARE:

.XX = ± 0.015
.XXX = ± 0.005
.X° = ± 0.3°

DO NOT SCALE DRAWING

APPROVALS

APPROVALS	DATE
DRAWN	
CHECKED	
RESP ENG	
MFG ENG	
QUAL ENG	

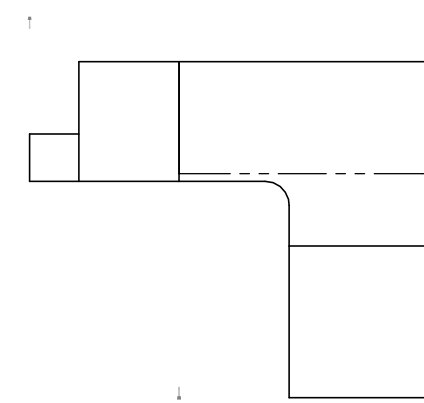
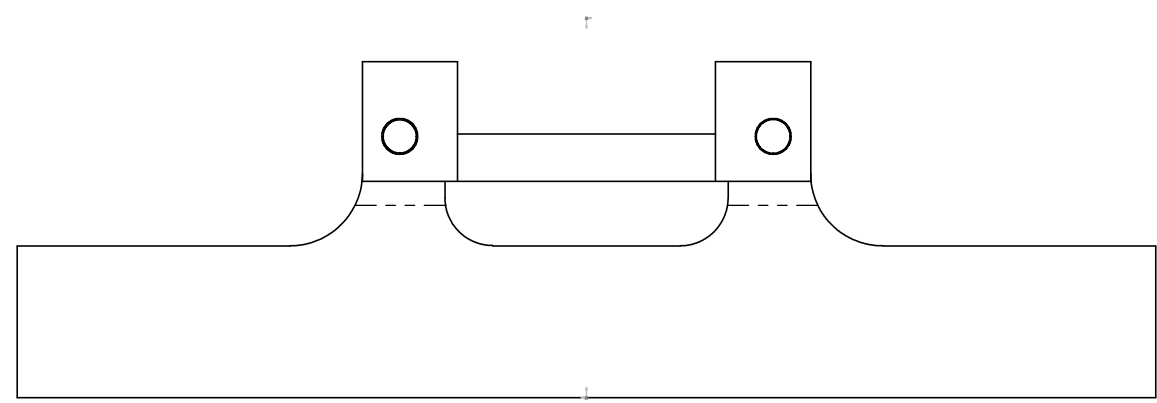
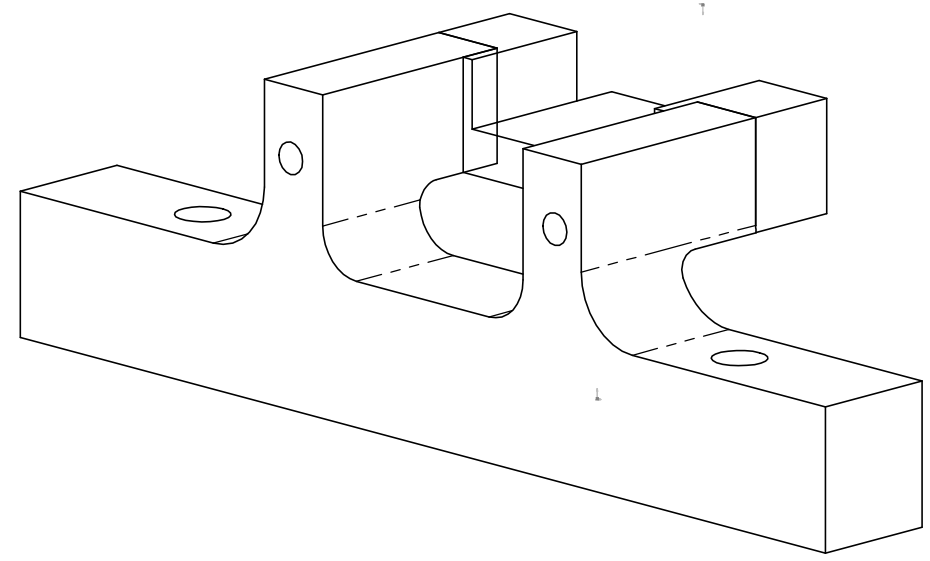
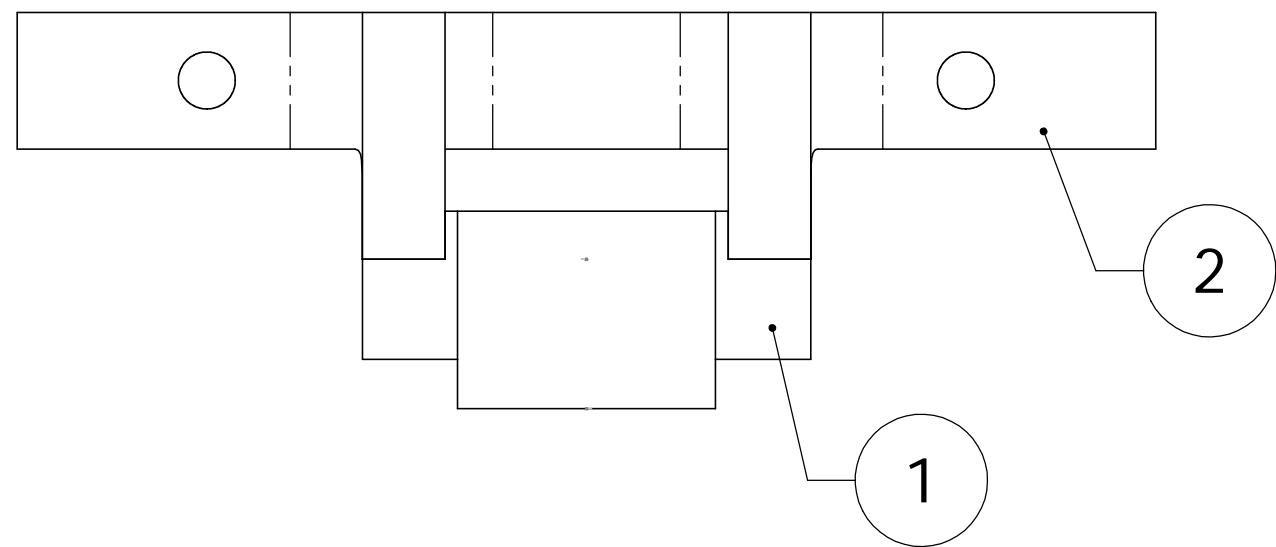
Product Development Corporation

PolySci signal connector

SCALE 3:2 DWG. NO. B02T112004 SHEET 2 OF 2

ENVISIONERING PRODUCT DEVELOPMENT CLAIMS PROPRIETARY RIGHTS IN THE INFORMATION DISCLOSED HEREON. THIS DRAWING IS FURNISHED IN CONFIDENCE ON THE EXPRESS UNDERSTANDING THAT NEITHER IT NOR ANY REPRODUCTION THEREOF WILL BE DISCLOSED TO OTHERS OR USED FOR THE PURPOSE OF MANUFACTURE OR PROCUREMENT OF THE ARTICLE OR PART SHOWN HEREON.

REVISIONS		DATE	APPROVED
REV.	DESCRIPTION		

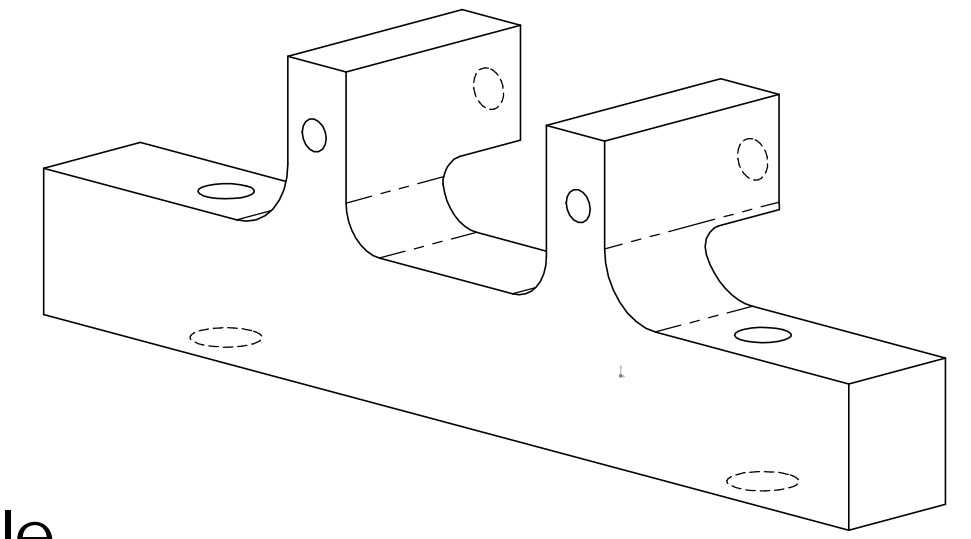
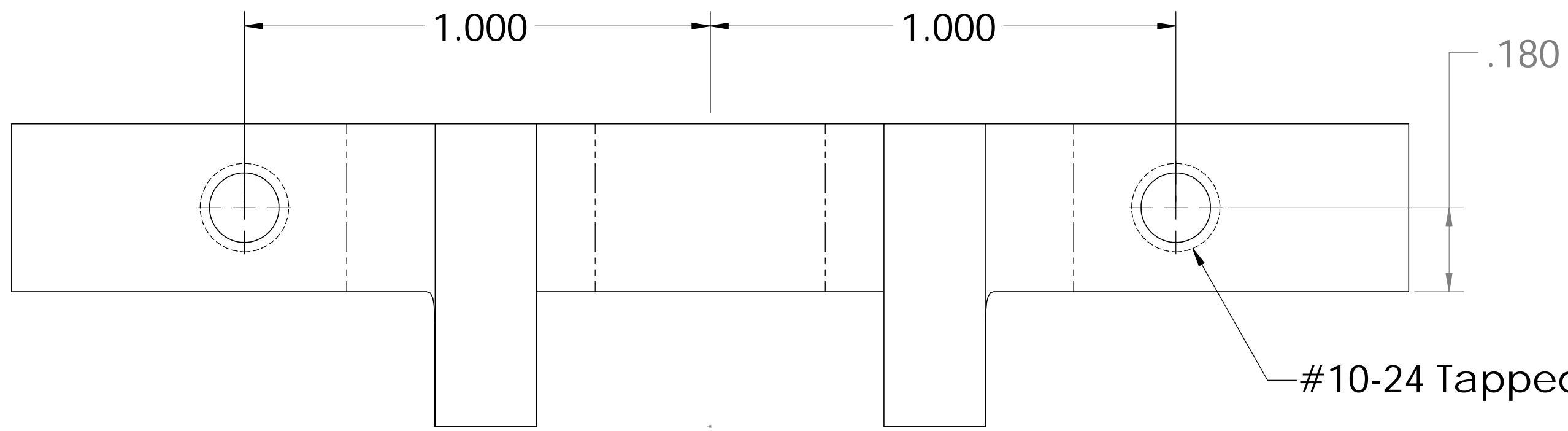


ITEM NO.	QTY.	PART NO.	DESCRIPTION
1	1	MD6043	
2	1	B02T112043	Coupler spindle mount

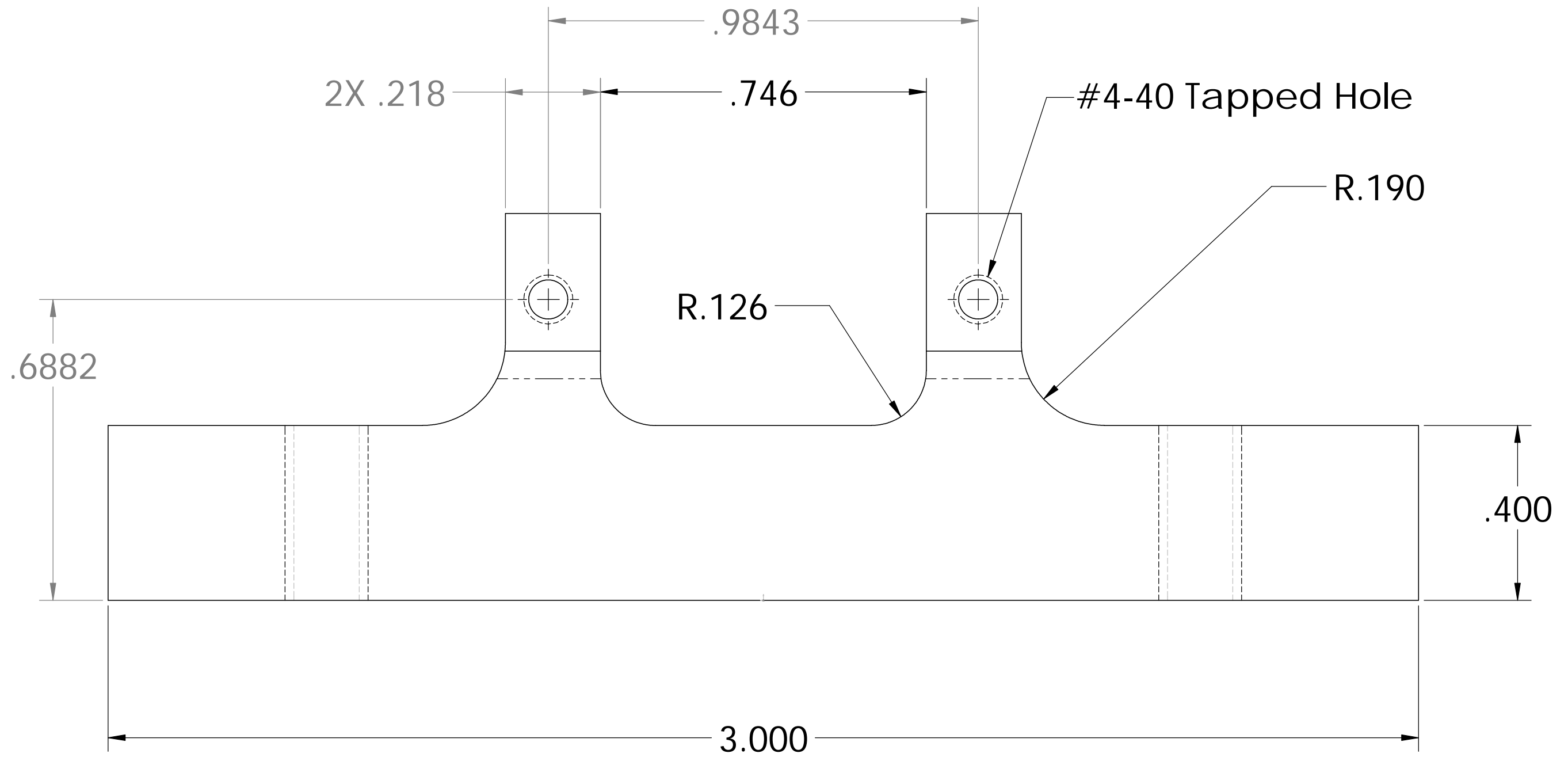
UNLESS OTHERWISE SPECIFIED DIMENSIONS ARE IN INCHES TOLERANCES ARE: .XX = ± 0.015 .XXX = ± 0.005 .X° = ± 0.3°		CAD GENERATED DRAWING. DO NOT MANUALLY UPDATE		PARTS LIST	
APPROVALS	DATE	DRAWN		Envisionering Product Development Corporation	
CHECKED		MATERIAL		PolySci slide finger assy	
RESP ENG		FINISH		SIZE DWG. NO. B02T112044	
MFG ENG		NEXT ASSY USED ON		SCALE 2:1 CAD FILE B02T112044 SHEET 1 OF 1	
QUAL ENG		APPLICATION		REV. -	
DO NOT SCALE DRAWING					

ENVISIONERING PRODUCT DEVELOPMENT CLAIMS PROPRIETARY RIGHTS IN THE INFORMATION DISCLOSED HEREON. THIS DRAWING IS FURNISHED IN CONFIDENCE ON THE EXPRESS UNDERSTANDING THAT NEITHER IT NOR ANY REPRODUCTION THEREOF WILL BE DISCLOSED TO OTHERS OR USED FOR THE PURPOSE OF MANUFACTURE OR PROCUREMENT OF THE ARTICLE OR PART SHOWN HEREON.

REVISIONS		DATE	APPROVED
REV.	DESCRIPTION		



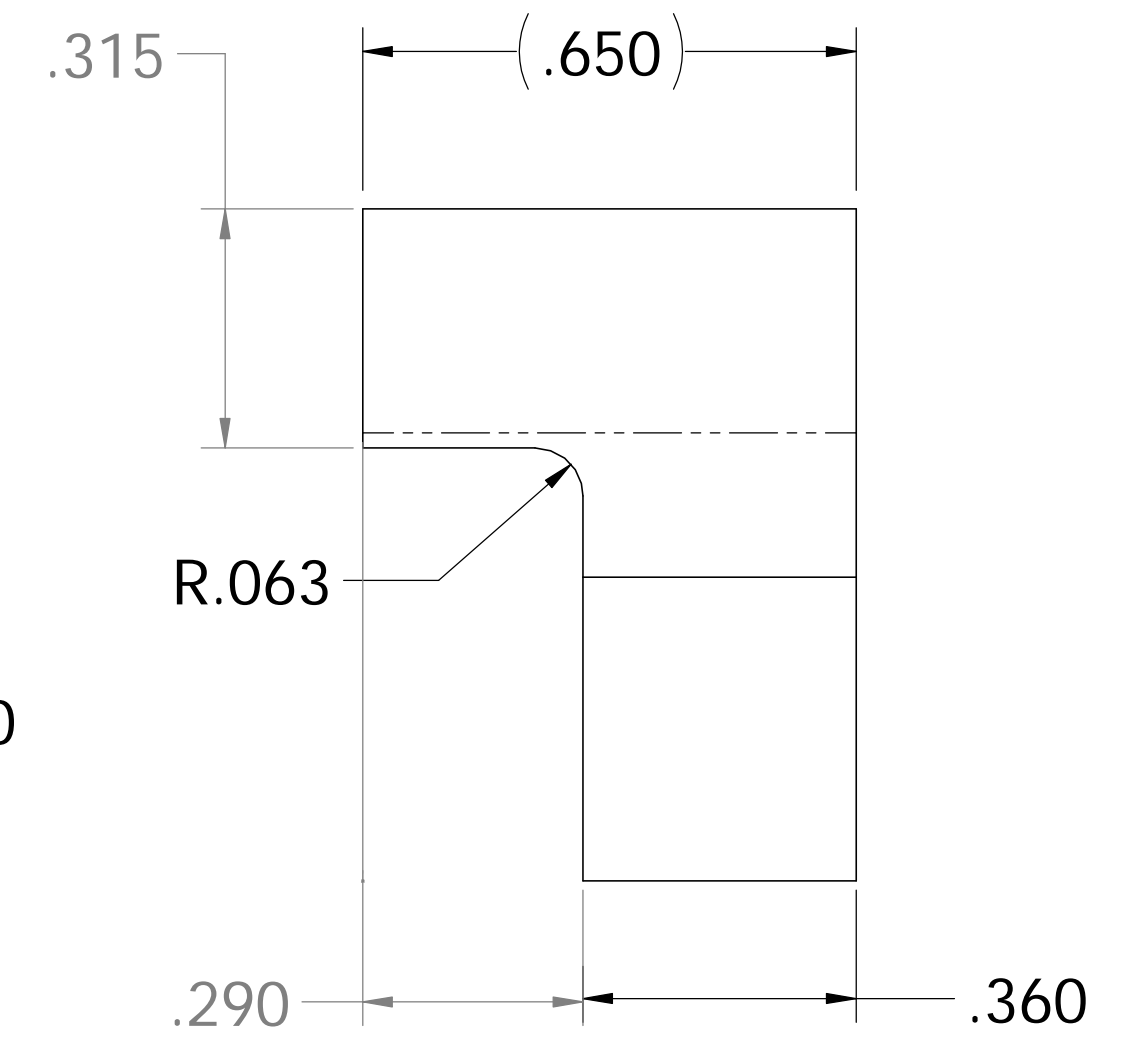
#10-24 Tapped Hole



#4-40 Tapped Hole

R.190

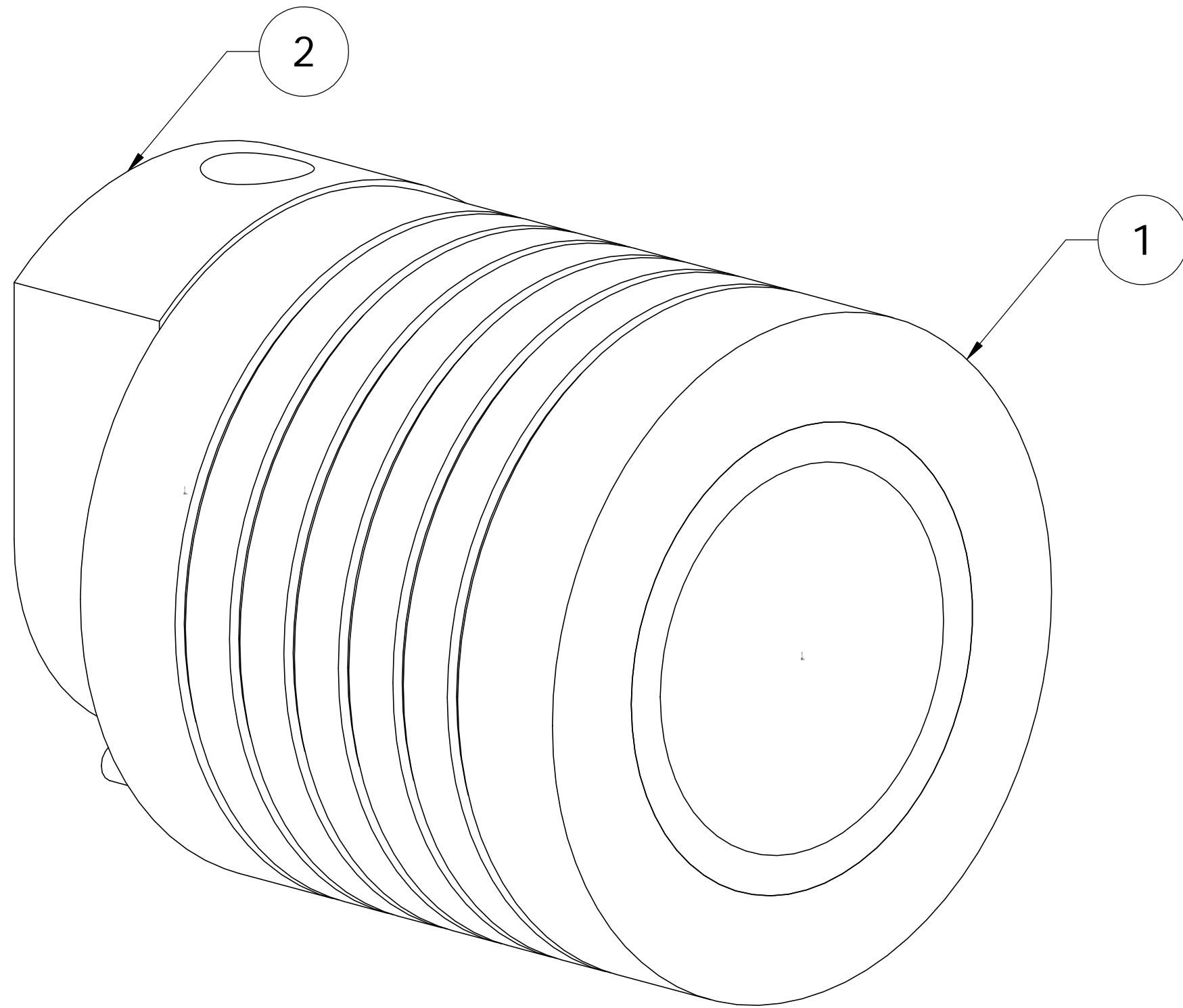
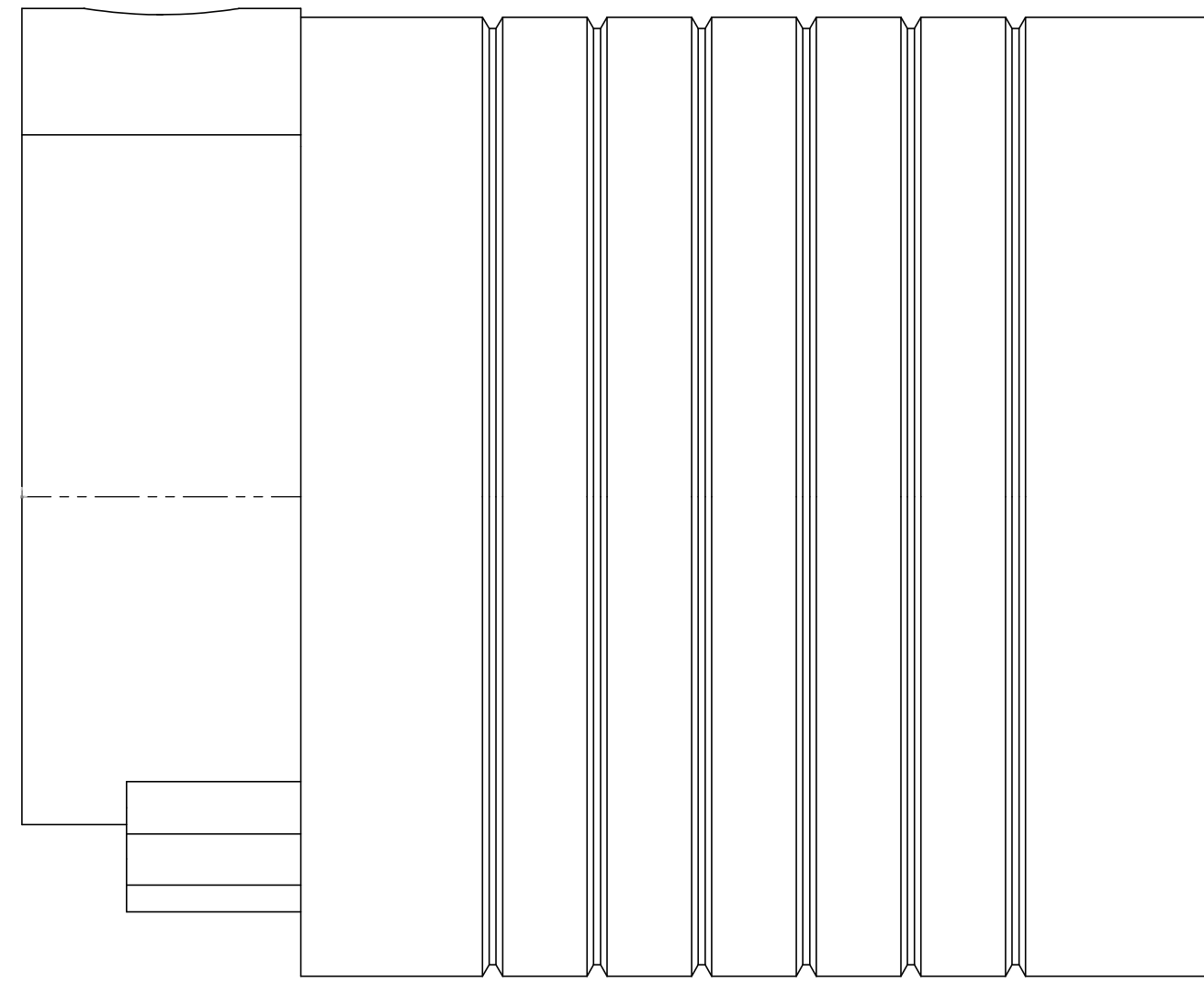
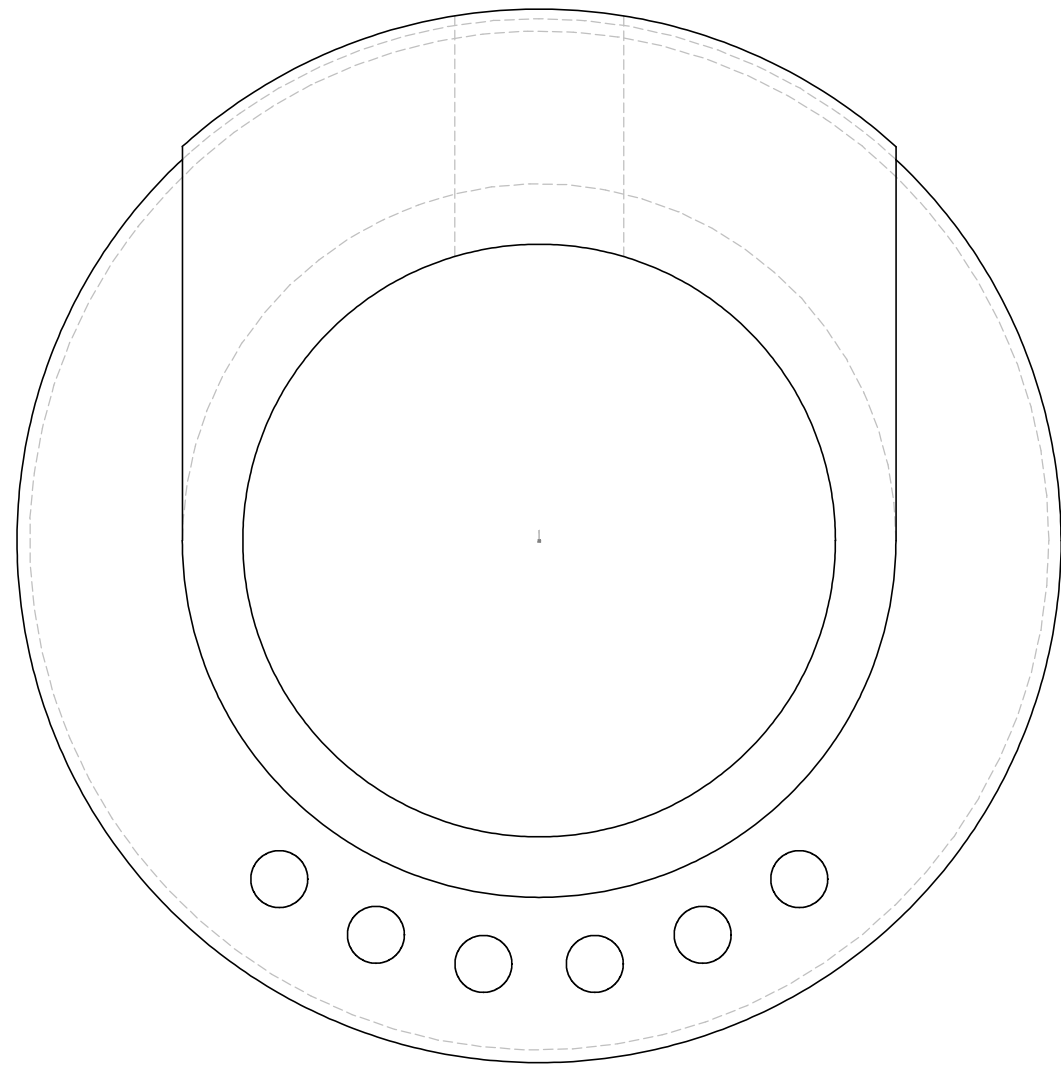
R.126



UNLESS OTHERWISE SPECIFIED DIMENSIONS ARE IN INCHES TOLERANCES ARE: .XX = ± 0.015 .XXX = ± 0.005 .X° = ± 0.3°		CAD GENERATED DRAWING. DO NOT MANUALLY UPDATE		PARTS LIST	
APPROVALS	DATE	Envisioneering		Product Development Corporation	
DRAWN		Coupler spindle mount			
CHECKED		SIZE DWG. NO. B02T112043			
RESP ENG		SCALE 4:1 CAD FILE B02T112043 SHEET 1 OF 1			
MFG ENG		APPLICATION DO NOT SCALE DRAWING			
QUAL ENG					

ENVISIONERING PRODUCT DEVELOPMENT CLAIMS PROPRIETARY RIGHTS IN THE INFORMATION DISCLOSED HEREON. THIS DRAWING IS FURNISHED IN CONFIDENCE ON THE EXPRESS UNDERSTANDING THAT NEITHER IT NOR ANY REPRODUCTION THEREOF WILL BE DISCLOSED TO OTHERS OR USED FOR THE PURPOSE OF MANUFACTURE OR PROCUREMENT OF THE ARTICLE OR PART SHOWN HEREON.

REVISIONS		DATE	APPROVED
REV.	DESCRIPTION		

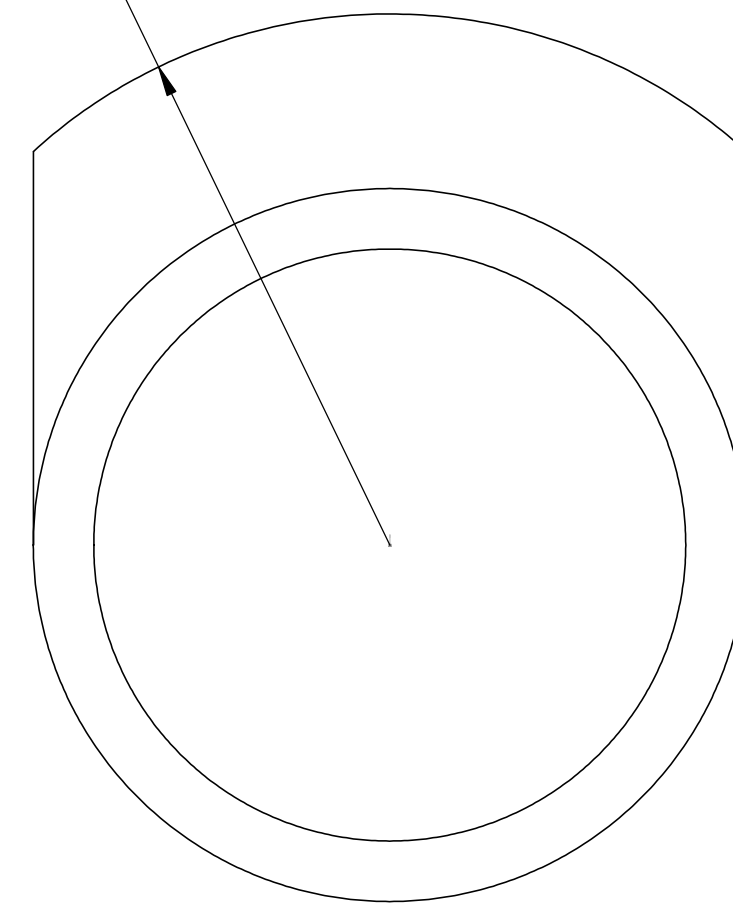
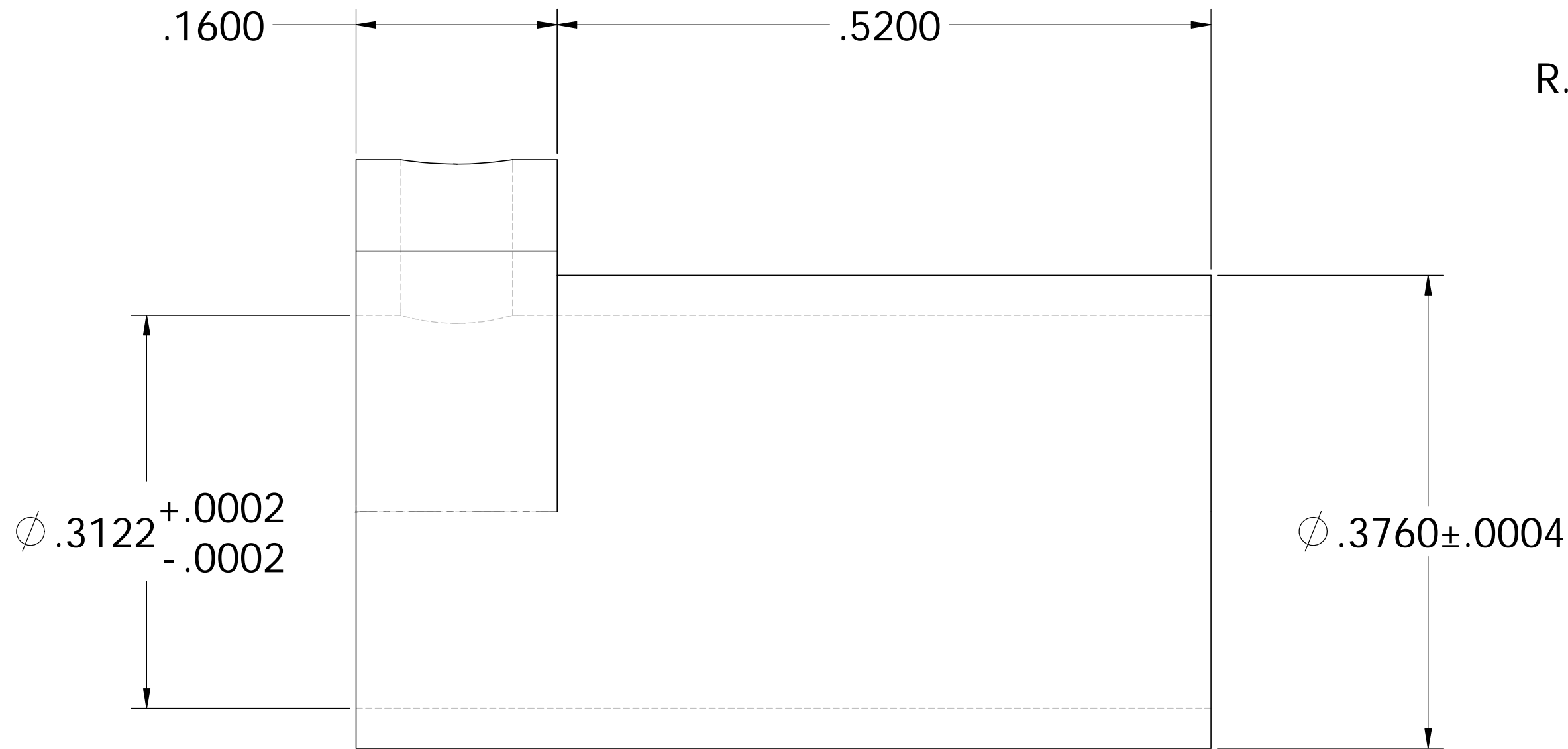
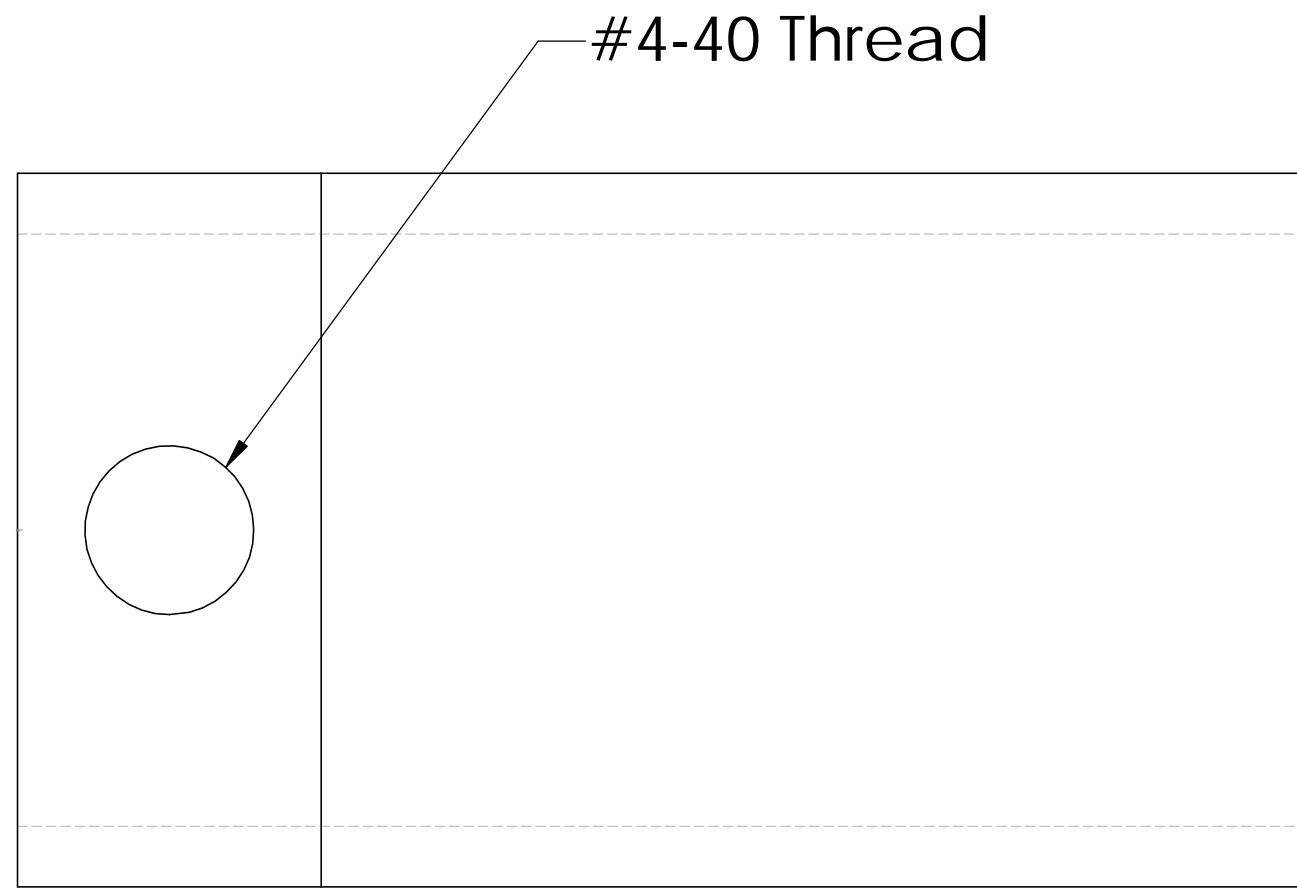


ITEM NO.	QTY.	PART NO.	DESCRIPTION
1	1	MD6038	
2	1	B02T112041	Coupler spindle mount

UNLESS OTHERWISE SPECIFIED DIMENSIONS ARE IN INCHES TOLERANCES ARE: .XX = ± 0.015 .XXX = ± 0.005 .X° = ± 0.3°		CAD GENERATED DRAWING. DO NOT MANUALLY UPDATE		PARTS LIST	
APPROVALS	DATE	Envisioneering		Product Development Corporation	
DRAWN		Coupler spindle assy			
CHECKED		SIZE DWG. NO. B02T112042			
RESP ENG		SCALE 10:1 CAD FILE B02T112042 SHEET 1 OF 1			
MFG ENG					
QUAL ENG					
NEXT ASSY	USED ON	APPLICATION			
		DO NOT SCALE DRAWING			

ENVISIONERING PRODUCT DEVELOPMENT CLAIMS PROPRIETARY RIGHTS IN THE INFORMATION DISCLOSED HEREON. THIS DRAWING IS FURNISHED IN CONFIDENCE ON THE EXPRESS UNDERSTANDING THAT NEITHER IT NOR ANY REPRODUCTION THEREOF WILL BE DISCLOSED TO OTHERS OR USED FOR THE PURPOSE OF MANUFACTURE OR PROCUREMENT OF THE ARTICLE OR PART SHOWN HEREON.

REVISIONS		DATE	APPROVED
REV.	DESCRIPTION		

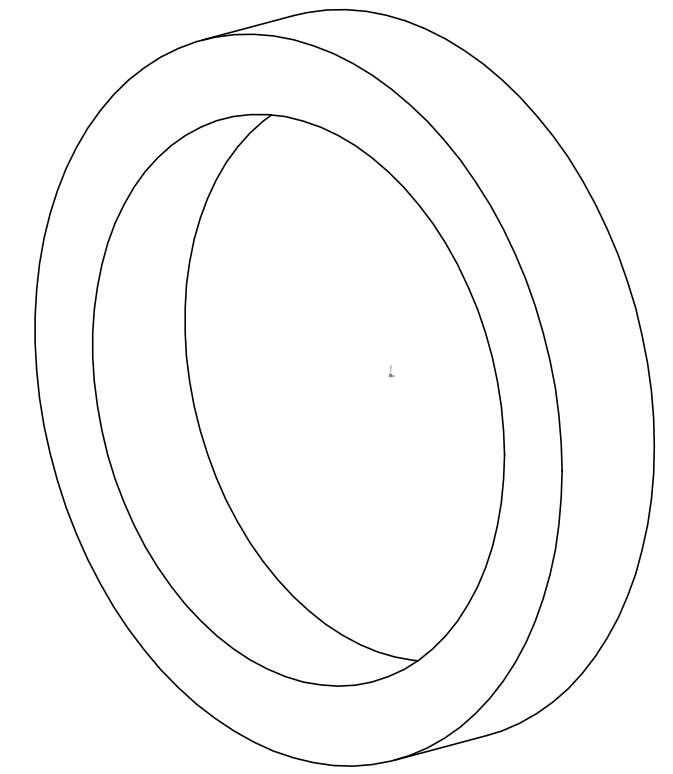
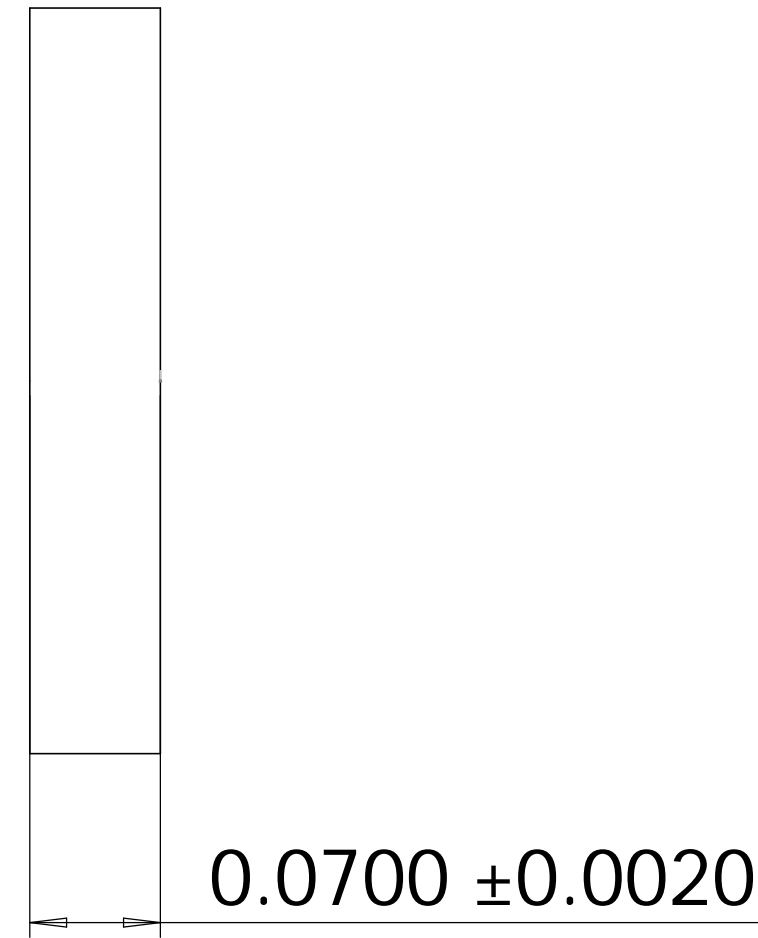
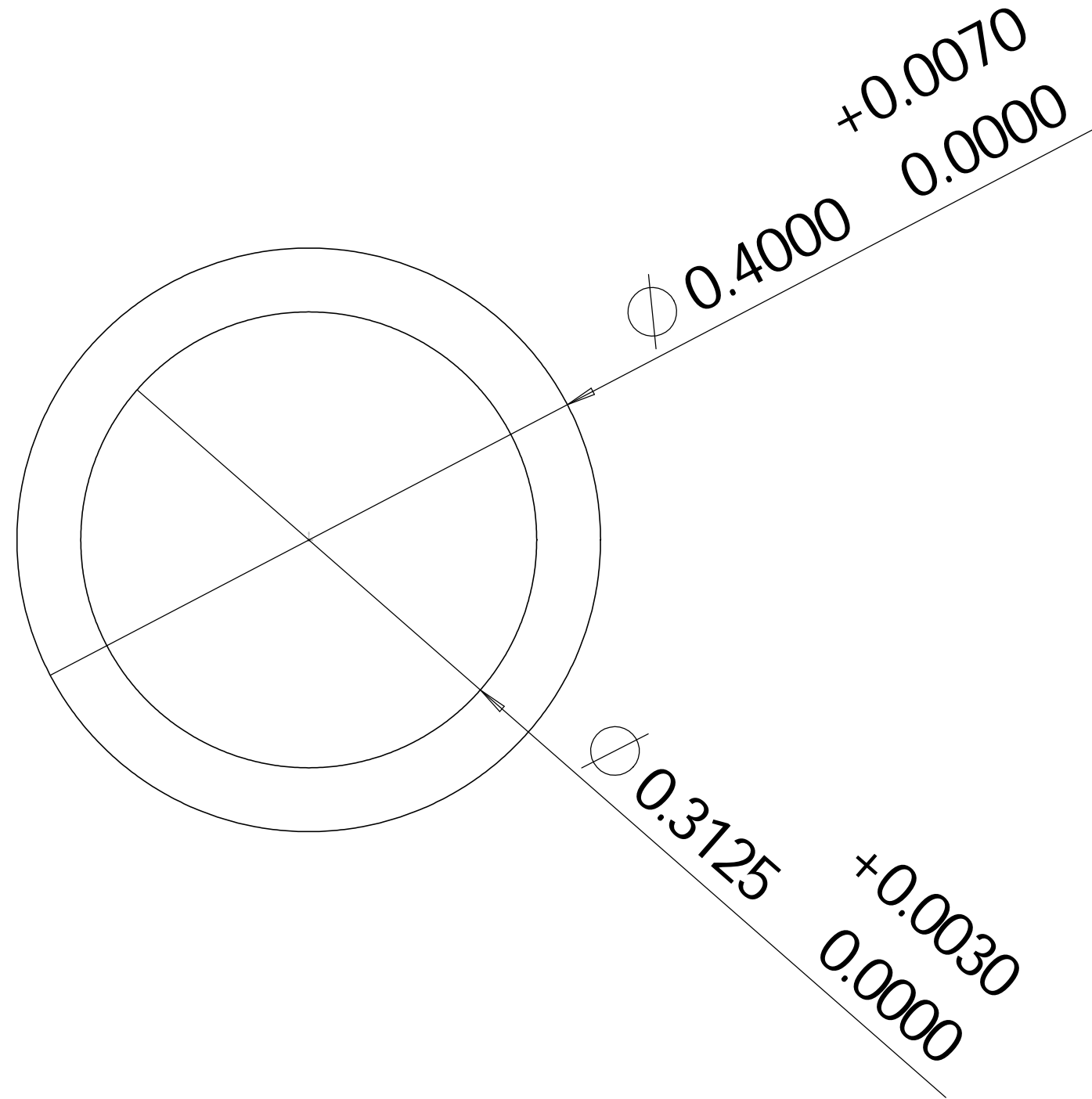



PARTS LIST		APPROVALS		DATE	
NEXT ASSY	USED ON	DRAWN	CHECKED	RESP ENG	MFG ENG
APPLICATION	DO NOT SCALE DRAWING	QUAL ENG			

UNLESS OTHERWISE SPECIFIED DIMENSIONS ARE IN INCHES		CAD GENERATED DRAWING. DO NOT MANUALLY UPDATE	
TOLERANCES ARE:			
.XX	= ± 0.015		
.XXX	= ± 0.005		
.X°	= ± 0.3°		
MATERIAL		AI	
FINISH			

Envisioneering		Product Development Corporation	
Coupler spindle mount			
SCALE 10:1	DWG. NO. B02T112041	REV. C	SHEET 1 OF 1

ENVISIONEERING PRODUCT DEVELOPMENT CLAIMS PROPRIETARY RIGHTS IN THE INFORMATION DISCLOSED HEREON. THIS DRAWING IS FURNISHED IN CONFIDENCE ON THE EXPRESS UNDERSTANDING THAT NEITHER IT NOR ANY REPRODUCTION THEREOF WILL BE DISCLOSED TO OTHERS OR USED FOR THE PURPOSE OF MANUFACTURE OR PROCUREMENT OF THE ARTICLE OR PART SHOWN HEREON.



PARTS LIST		UNLESS OTHERWISE SPECIFIED DIMENSIONS ARE IN INCHES TOLERANCES ARE:		CAD GENERATED DRAWING, DO NOT MANUALLY UPDATE		Product Development Corporation			
		.XX	= ± 0.015	APPROVALS	DATE	 Spacer	REV.		
		.XXX	= ± 0.005	DRAWN			B02T112046	-	
		.X°	= ± 0.3°	CHECKED				SCALE 5:1	
		MATERIAL	AI	RESP ENG				CAD FILE: B02T112046	SHEET 1 OF 1
		FINISH		MFG ENG					
NEXT ASSY	USED ON	DO NOT SCALE DRAWING		QUAL ENG					
APPLICATION									